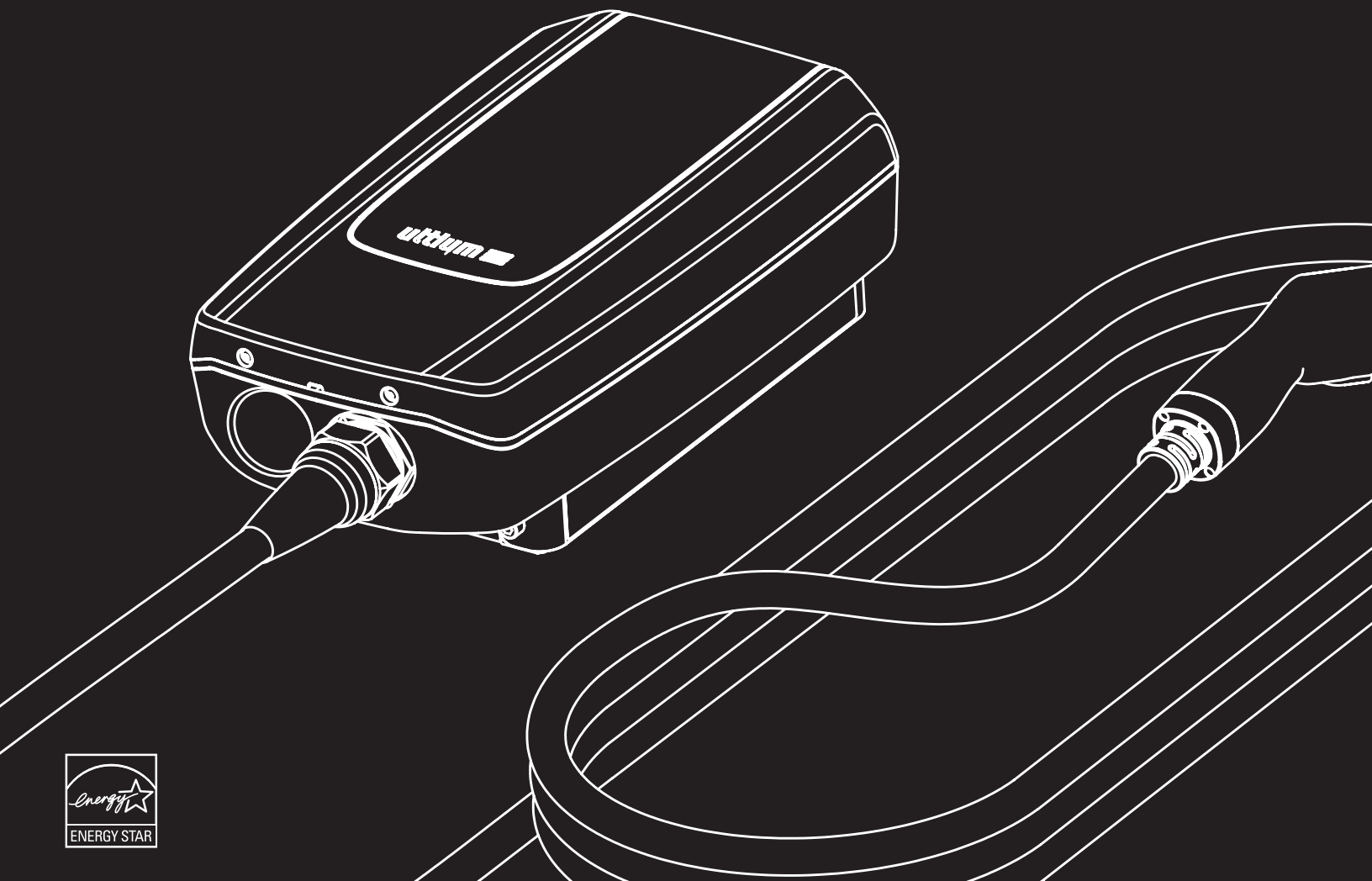




ULTIUM POWERUP+ CHARGE STATION USER MANUAL

BORNE DE CHARGE POUR VE ULTIUM POWERUP+ MANUEL DE L'UTILISATEUR

ESTACIÓN DE CARGA ULTIUM POWERUP+ MANUAL DE USUARIO



⚠WARNING: RISK OF FIRE OR ELECTRICAL SHOCK. Carefully read and follow all of the instructions and precautions in this User Manual and the accompanying Safety Manual. Installation of the Ultium PowerUP+ Charge Station must be performed by a qualified electrician ONLY. In addition, the electrical system used with this charger must be inspected by qualified electrician prior to use to ensure all wiring, circuit breakers and outlets are appropriately sized and in good working condition, and comply with applicable electrical codes.

⚠AVERTISSEMENT: RISQUE D'INCENDIE OU DE DÉCHARGE ÉLECTRIQUE. Lisez attentivement et suivez toutes les instructions et précautions de ce manuel d'utilisation et du manuel de sécurité qui l'accompagne. Le système électrique utilisé avec ce chargeur doit être inspecté par un électricien qualifié avant utilisation afin de s'assurer que tous les câbles, disjoncteurs et prises sont de taille appropriée et en bon état de fonctionnement, et qu'ils sont conformes aux codes électriques applicables. L'installation de la station de charge Ultium PowerUP+ doit être effectuée UNIQUEMENT par un électricien qualifié

⚠ADVERTENCIA: RIESGO DE INCENDIO O DESCARGA ELÉCTRICA. Lea atentamente y siga todas las instrucciones y precauciones de este manual del usuario y del manual de seguridad que lo acompaña. El sistema eléctrico utilizado con este cargador debe ser inspeccionado por un electricista calificado antes de su uso para asegurarse de que todo el cableado, los disyuntores y las tomas de corriente tienen el tamaño adecuado y están en buenas condiciones de funcionamiento, y cumplen con los códigos eléctricos aplicables. La instalación de la estación de carga Ultium PowerUP+ debe ser realizada ÚNICAMENTE por un electricista calificado.

CONTENTS

1. IMPORTANT SAFETY INSTRUCTION	3
2. GENERAL	3
2.1 STANDARD STATION FEATURES	4
2.2 CONNECTED FEATURES	4
2.3 MOBILE APP	4
2.4 INCLUDED IN THE BOX	5
2.5 INCLUDED IN THE ACCESSORY BOX	5
2.6 EQUIPMENT OVERVIEW	5
3. INSTALLATION INSTRUCTIONS	6
3.1 WALL-MOUNTING INSTRUCTIONS	7
3.1.1 MOUNTING THE Ultium PowerUP+ CHARGE STATION	7
3.1.2 MOUNTING THE CABLE WALL MOUNT	8
3.2 HARDWIRE INSTALLATION	9
4. INDICATOR OVERVIEW	11
5. OPERATING INSTRUCTIONS	12
6. MAINTENANCE AND STORAGE INSTRUCTIONS	16
6.1 DISPOSAL	16
7. TROUBLESHOOTING	17
7.1 SOFTWARE	17
7.2 MOBILE APP	17
7.3 MANUAL RESETTABLE ERROR	18
7.4 HAZARDOUS ERROR	19
8. TECHNICAL DATA	20
9. OVERCURRENT AND SHORT-CIRCUIT PROTECTION	20
10. BLUETOOTH®	21
11. SUPPORT	21
12. COMPLIANCE	21
13. FCC STATEMENT	22
14. NATIONAL USAGE RESTRICTIONS	22
15. LIMITED WARRANTY	23

TO BE COMPLETED BY INSTALLATION ELECTRICIAN FOR CUSTOMER REFERENCE

SERIAL NUMBER:

BLUETOOTH PAIRING CODE:

CIRCUIT BREAKER SIZE:

RECOMMENDED CURRENT SETTING:

R 05APR23					PART No. 85642869	SHEET
ALL INFORMATION WITHIN ABOVE BORDER TO BE PRINTED EXACTLY AS SHOWN ON 8.5 X 11 WHITE 16 POUND NON-BOND RECYCLABLE PAPER. PRINT ON BOTH SIDES EXCLUDING TEMPLATES. TO BE UNITED IN ACCORDANCE WITH GMCCA SPECIFICATIONS.	Date	Revision	Auth	DR	Title Ultium PowerUP+ Charge Station User Manual	PART No. SHEET
	31MAR23	First Rel	SAR	MB		
	05APR23	Second Rel	SAR	MB		
					2	

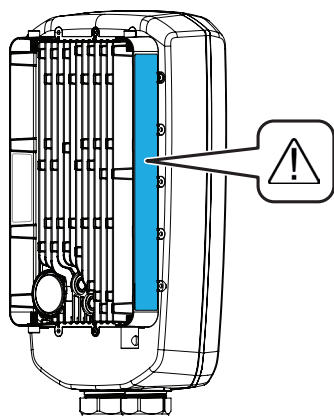
1. IMPORTANT SAFETY INSTRUCTION

⚠WARNING: Use the Ultium PowerUP+ Charge Station according to GM and company instructions as detailed in the supplied user manuals, to avoid RISKS OF FIRE, ELECTRIC SHOCK, or injury to persons.

⚠WARNING: Installation of the Ultium PowerUP+ Charge Station must be performed by a qualified electrician ONLY.

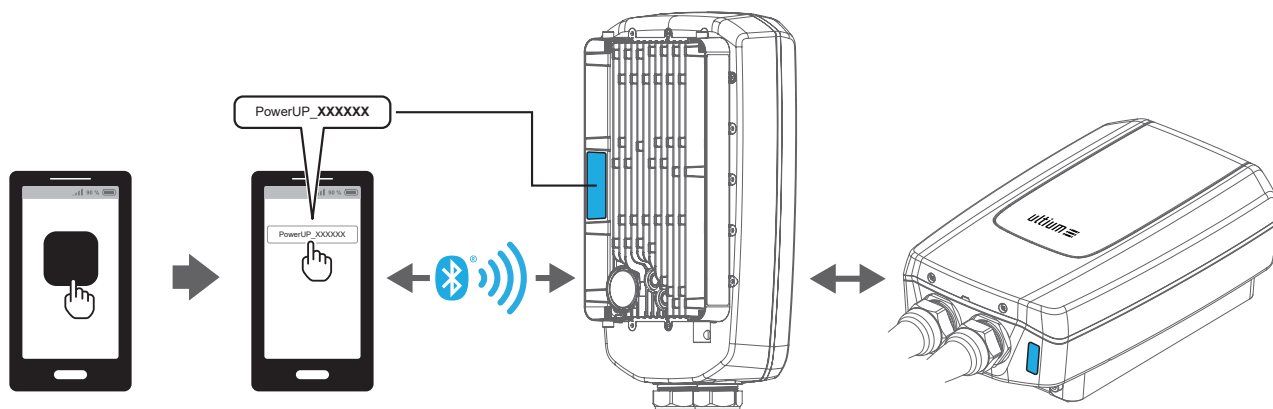
⚠WARNING: Read and understand the supplied 'Ultium PowerUP+ Charge Station Safety Manual'. If you are uncertain about any aspect of the installation, consult a qualified electrician.

⚠WARNING: Read and understand the fitted safety information label before attempting installation or operation of the Ultium PowerUP+ Charge Station. DO NOT attempt to remove the safety information label which can be located in the position shown below.



2. GENERAL

- This Ultium PowerUP+ Charge Station is designed for charging of Electrical Vehicles (EVs) only. See the vehicle owner's manual for more information.
- Remember to save the Bluetooth® pairing code, this is required to connect the unit to the mobile app. The last six numbers of the Bluetooth® pairing code can be found on the rear and bottom of the Ultium PowerUP+ Charge Station.
- **NOTE:** Unless paired via Bluetooth® the Ultium PowerUP+ Charge Station will operate at 6 Amp ONLY. Operating amperage can be changed via the GM MyBrand / Ultium app.



R 05APR23					PART No. 85642869	SHEET
ALL INFORMATION WITHIN ABOVE BORDER TO BE PRINTED EXACTLY AS SHOWN ON 8.5 x 11 WHITE 16 POUND NON-BOND RECYCLABLE PAPER. PRINT ON BOTH SIDES EXCLUDING TEMPLATES. TO BE UNITED IN ACCORDANCE WITH GMCCA SPECIFICATIONS.	Date	Revision	Auth	DR	Title Ultium PowerUP+ Charge Station User Manual PART No. SHEET 3	
	31MAR23	First Rel	SAR	MB		
	05APR23	Second Rel	SAR	MB		

2.1 STANDARD STATION FEATURES

Max Charging Power	Hardwired - 19.2kW
Charge Cable Length	25 ft. (7.5m)
Supply	Hardwired 208/240 VAC, 100 A dedicated circuit
Max Operating Amps	80 A
Breaker Amps	100 A
Energy Star Certified	Yes
Static Load Balancing	Yes (∞)

2.2 CONNECTED FEATURES

Ethernet	No
WiFi Enabled	Yes
Mobile App (Manufacturer)	Yes
Bluetooth®	Yes (approx. 33ft (10m) range)
OCPP 1.6	Yes
Over-The-Air Firmware Update	Yes
Service support	Yes

2.3 MOBILE APP

GM has a range of mobile applications that can be used with the Ultium PowerUP+ Charge Station, which include:



myBuick



myCadillac



myChevrolet



myGMC



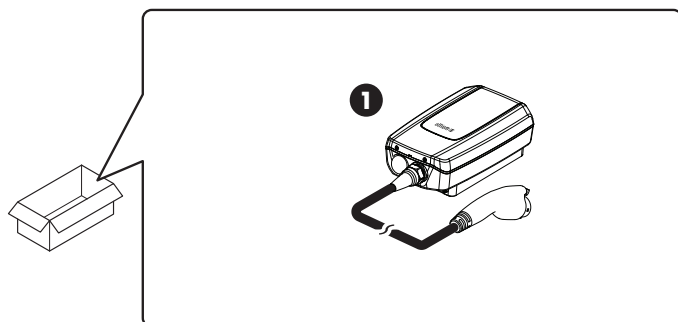
Ultium PowerUP

Use the appropriate brand app associated with your vehicle for full app functionality, including WIFI connectivity and setting the operating amperage. In case you do not have a GM vehicle but use a Ultium PowerUP+ Charge Station, use the Ultium PowerUP app.

NOTE: The GM Vehicle app will be referred to as the 'My Brand App' throughout this user documentation.

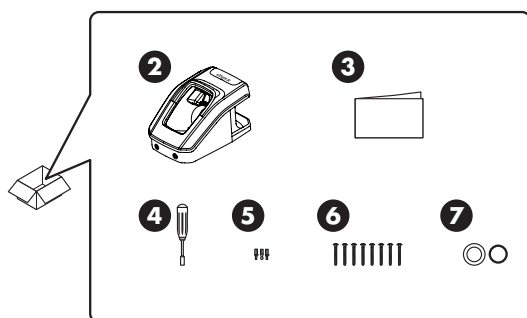
R 05APR23					PART No. 85642869		SHEET	
ALL INFORMATION WITHIN ABOVE BORDER TO BE PRINTED EXACTLY AS SHOWN ON 8.5 x 11 WHITE 16 POUND NON-BOND RECYCLABLE PAPER. PRINT ON BOTH SIDES EXCLUDING TEMPLATES. TO BE UNITED IN ACCORDANCE WITH GMCCA SPECIFICATIONS.	Date	Revision	Auth	DR	Title Ultium PowerUP+ Charge Station User Manual			
	31MAR23	First Rel	SAR	MB				
	05APR23	Second Rel	SAR	MB	PART No.		SHEET	
							4	

2.4 INCLUDED IN THE BOX



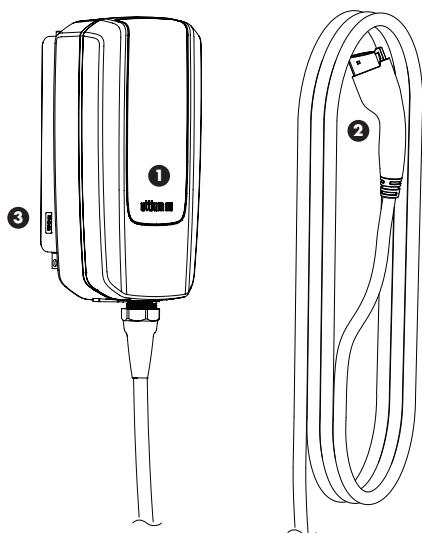
1. Ultium PowerUP+ Charge Station

2.5 INCLUDED IN THE ACCESSORY BOX



2. Cable Wall Mount
3. User Manual/Safety Manual/Drilling template
4. Multi-Bit Screwdriver
5. 3 Screwdriver Bits
6. 8 Screws
7. O-ring and conduit adapter

2.6 EQUIPMENT OVERVIEW



1. Ultium PowerUP+ Charge Station with indicator panel
2. EV Type-1 Connector
3. Charging Station Wall Mount

R 05APR23

PART No. 85642869

SHEET

ALL INFORMATION WITHIN ABOVE BORDER TO BE PRINTED EXACTLY AS SHOWN ON 8.5 x 11 WHITE 16

POUND NON-BOND RECYCLABLE PAPER. PRINT ON BOTH SIDES EXCLUDING TEMPLATES. TO BE

UNITED IN ACCORDANCE WITH GMCCA SPECIFICATIONS.

Date	Revision	Auth	DR	Title	
31MAR23	First Rel	SAR	MB	Ultium PowerUP+ Charge Station User Manual	
05APR23	Second Rel	SAR	MB		
PART No.				SHEET	5

3. INSTALLATION INSTRUCTIONS

IMPORTANT INFORMATION:

- **⚠ WARNING:** When installing the Ultium PowerUP+ Charge Station, keep the location of the vehicles charging port in mind so that the charging cable can reach. Mount the cable wall mount near the charging port for ease of use.
- **⚠ WARNING:** For equipment rated more than 60 Amperes or more than 150 volts to ground, the disconnecting means must be installed in a readily accessible location. The disconnecting means shall be lockable in accordance with NFPA 70, 110.25.
- **⚠ CAUTION:** The Ultium PowerUP+ Charge Station location must be safe and adequate, to avoid any hazards.
- **⚠ CAUTION:** This device shall be mounted at a sufficient height from ground such that the height of the storage means for the coupling device is located between 24 inches (600mm) and 4 feet (1.2m) from ground. **NOTE:** for indoor use, 24 inches (600mm) can be changed to 18 inches (460mm).
- **⚠ CAUTION:** This device requires a hardwire installation and must be performed by a certified electrician ONLY.
- **⚠ CAUTION:** If the Ultium PowerUP+ Charge Station is damaged during installation, stop the installation, and contact the company (refer to SUPPORT section or further information).
- **⚠ CAUTION:** Make sure the installation of the unit obeys any mandatory local rules, permits and laws.
- **⚠ CAUTION:** Make sure to have approval from the property owner or condo association for the installation.
- **⚠ CAUTION:** Make sure stainless-steel fasteners are used for all mounting installations.
- **⚠ CAUTION:** Unless paired via Bluetooth® the Ultium PowerUP+ Charge Station will operate at 6 Amp ONLY. Operating amperage can be changed via the GM MyBrand / Ultium app.

R 05APR23					PART No. 85642869		SHEET	
ALL INFORMATION WITHIN ABOVE BORDER TO BE PRINTED EXACTLY AS SHOWN ON 8.5 x 11 WHITE 16 POUND NON-BOND RECYCLABLE PAPER. PRINT ON BOTH SIDES EXCLUDING TEMPLATES. TO BE UNITED IN ACCORDANCE WITH GMCCA SPECIFICATIONS.	Date	Revision	Auth	DR	Title Ultium PowerUP+ Charge Station User Manual			
	31MAR23	First Rel	SAR	MB				
	05APR23	Second Rel	SAR	MB	PART No.		SHEET	
							6	

3.1 WALL-MOUNTING INSTRUCTIONS

The included screws are for convenience and can only be used on wooden surfaces. They can also be used on concrete if used with concrete-wall anchors.

IMPORTANT INFORMATION:

⚠ CAUTION: Make sure a surface that is appropriate for the weight of the Ultium PowerUP+ Charge Station is chosen and that the correct screws are used for the intended surface and that the unit is safely mounted on the wall before using the unit. If there is uncertainty of which surface is appropriate or which screws are suitable for the application, contact a specialist to seek advice.

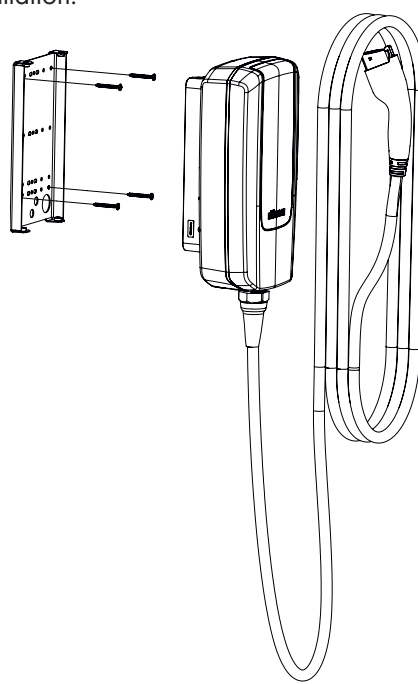
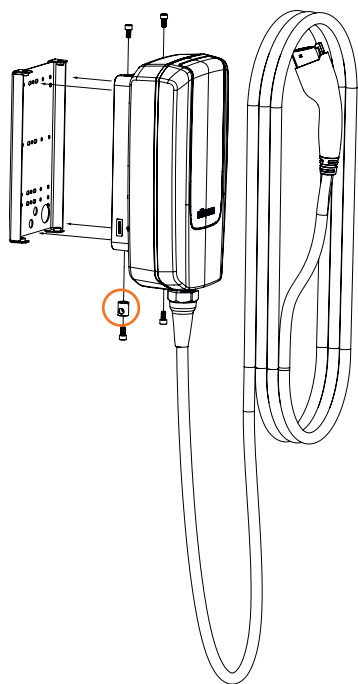
This device shall be mounted at a sufficient height from ground such that the height of the storage means for the coupling device is located between 24 inches (600mm) and 4 feet (1.2m) from ground.

NOTE: for indoor use, 24 inches (600mm) can be changed to 18 inches (460mm).

Installing a padlock is recommend to prevent theft. Padlock not included.

3.1.1 MOUNTING THE ULTIUM POWERUP+ CHARGE STATION

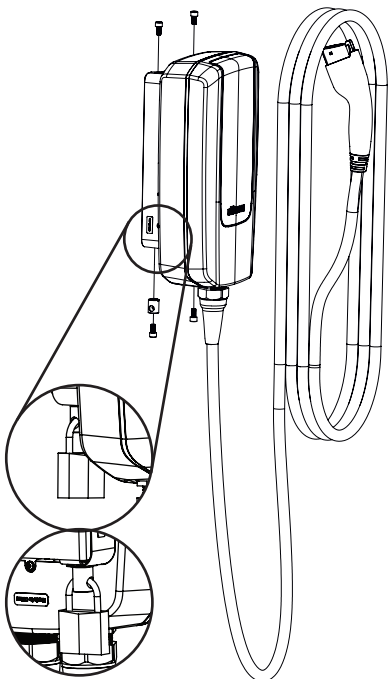
1. Unscrew the four screws including the security nut (highlighted) to access the charge station wall mount, keep the screws (see step 3).
2. Mount the charging station wall mount to the intended surface, using the screws provided (where applicable).
Note: a drilling template is provided to assist installation.



R 05APR23					PART No. 85642869	SHEET
ALL INFORMATION WITHIN ABOVE BORDER TO BE PRINTED EXACTLY AS SHOWN ON 8.5 x 11 WHITE 16 POUND NON-BOND RECYCLABLE PAPER. PRINT ON BOTH SIDES EXCLUDING TEMPLATES. TO BE UNITED IN ACCORDANCE WITH GMCCA SPECIFICATIONS.	Date	Revision	Auth	DR	Title Ultium PowerUP+ Charge Station User Manual	PART No. SHEET
	31MAR23	First Rel	SAR	MB		
	05APR23	Second Rel	SAR	MB		
					PART No.	SHEET 7

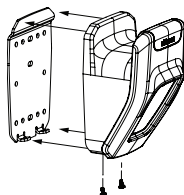
3. Reattach the Ultium PowerUP+ Charge Station on the wall mount using the previously removed screws from Step 1.

If a padlock has been purchased, secure the unit by locking the padlock on the security nut.

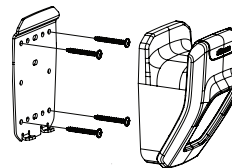


3.1.2 MOUNTING THE CABLE WALL MOUNT

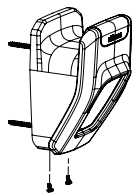
1. Unscrew the two screws at the bottom to access the mounting plate, keep the screws.



2. Mount the mounting bracket to the intended surface, using the screws provided (where applicable). Note: a drilling template is provided to assist installation.



3. Reattach the cable wall mount on the mounting bracket using the previously removed screws (see step 1).



R 05APR23

PART No. 85642869

SHEET

ALL INFORMATION WITHIN ABOVE BORDER TO BE PRINTED EXACTLY AS SHOWN ON 8.5 x 11 WHITE 16

POUND NON-BOND RECYCLABLE PAPER. PRINT ON BOTH SIDES, EXCLUDING TEMPLATES. TO BE

UNITED IN ACCORDANCE WITH GMCCA SPECIFICATIONS.

Date	Revision	Auth	DR
31MAR23	First Rel	SAR	MB
05APR23	Second Rel	SAR	MB

Title Ultium PowerUP+ Charge Station User Manual

PART No. SHEET

3.2 HARDWIRE INSTALLATION

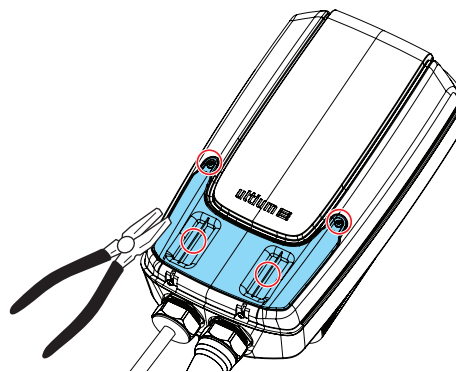
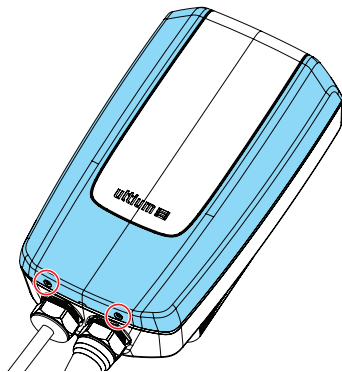
⚠ WARNING: IMPORTANT - Hardwire installation can be performed by certified electricians ONLY.

⚠ CAUTION: Use 3 AWG, 90° C copper wire for L1, L2 and 8 AWG 90° C copper wire for Ground for field wiring installation.

A hardwire installation is required to permanently wire the Ultium PowerUP+ Charge Station to the main incoming supply.

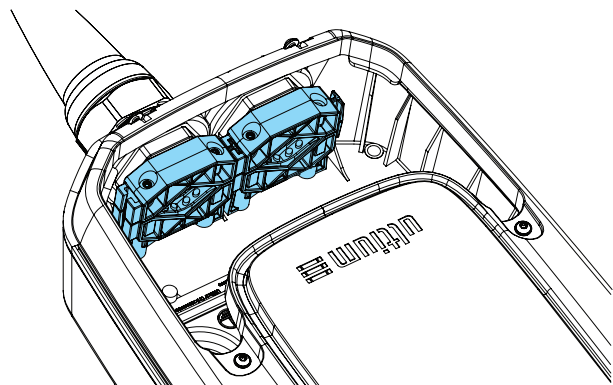
1. Remove the two screws located at the end of the front cover (keep the screws for reassembly) → Remove the front cover.

2. Remove the two service lid screws (keep the screws for reassembly) → Remove the service lid using pliers and pull on the tabs as shown.

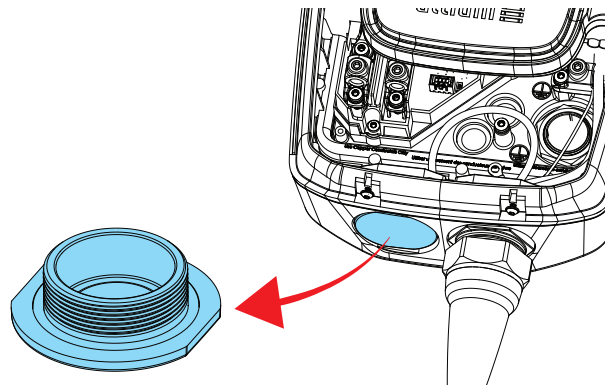


3. Remove the four screws and washers that secure the cable clamp → Remove the cable clamp (keep screws, washers and cable clamp for reassembly).

4. Remove the blind plug from the opening for the hardwire installation by loosening the securing nut.



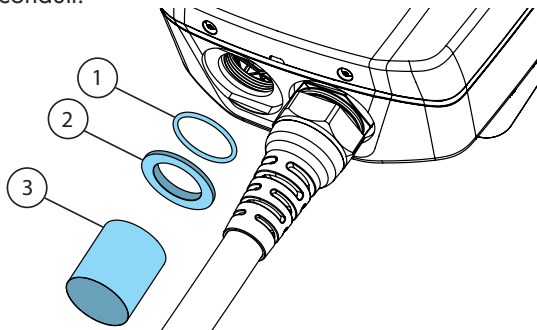
NOTE: Components may have been removed for image clarity.



NOTE: Components may have been removed for image clarity.

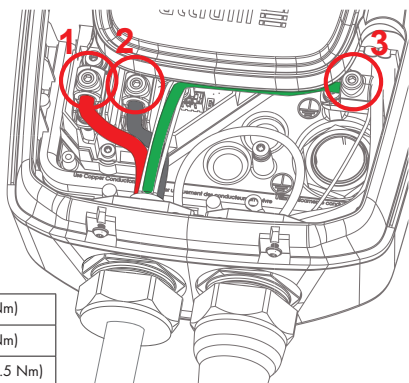
R 05APR23					PART No. 85642869	SHEET
<small>ALL INFORMATION WITHIN ABOVE BORDER TO BE PRINTED EXACTLY AS SHOWN ON 8.5 x 11 WHITE 16 POUND NON-BOND RECYCLABLE PAPER. PRINT ON BOTH SIDES EXCLUDING TEMPLATES. TO BE UNITED IN ACCORDANCE WITH GMCCA SPECIFICATIONS.</small>	Date	Revision	Auth	DR	Title Ultium PowerUP+ Charge Station User Manual	PART No. SHEET
	31MAR23	First Rel	SAR	MB		
	05APR23	Second Rel	SAR	MB		
					9	

5. Fit the o-ring (1) and conduit adapter (2) supplied in the tool kit. Make sure a suitable 1" water tight conduit (3) compliant to type 4X is used (not supplied) → Push the new (round) cable through the conduit.



NOTE: For illustration purposes only.

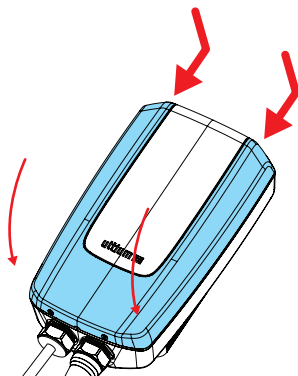
7. Install the cables in the terminals and tighten the terminal screws as below.



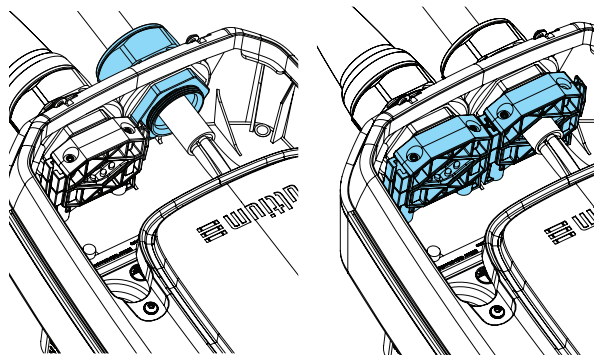
1	L1	5 ft/lbs (7 Nm)
2	L2	5 ft/lbs (7 Nm)
3	GROUND	2.5 ft/lbs (3.5 Nm)

NOTE: Components may have been removed for image clarity.

9. Re-attach the front cover with its two screws and tighten them to 0.7 ft/lbs (1 Nm). The hardwire installation is now finished.

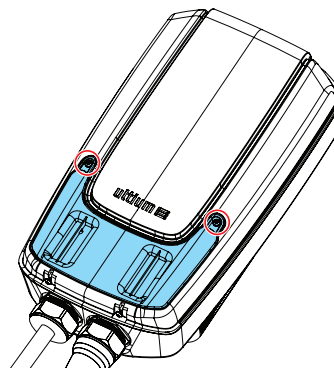


6. Secure the newly installed cable gland and conduit → Refit the cable clamp assembly (from Step 3).



NOTE: Components may have been removed for image clarity.

8. Re-attach the service lid with its two screws and tighten them to 0.7 ft/lbs (1 Nm).



10. To continue set-up of the Ultium PowerUP+ Charge Station, refer to '5. OPERATING INSTRUCTIONS' to do the following:

- Switching the charge station circuit breaker on/off
- Pairing to Bluetooth®
- Downloading the GM MyBrand / Ultium app
- Setting-up a GM user account
- Charging an EV

NOTE FOR INSTALLATION ELECTRICIAN:

Make sure the correct operating amperage has been set via the end users GM MyBrand / Ultium app after set-up and pairing to the Ultium PowerUP+ Charge Station (default operating amperage 6 Amp).

R 05APR23

PART No. 85642869

SHEET

ALL INFORMATION WITHIN ABOVE BORDER TO BE PRINTED EXACTLY AS SHOWN ON 8.5 x 11 WHITE 16

POUND NON-BOND RECYCLABLE PAPER. PRINT ON BOTH SIDES EXCLUDING TEMPLATES. TO BE

UNITED IN ACCORDANCE WITH GMCCA SPECIFICATIONS.

Date	Revision	Auth	DR
31MAR23	First Rel	SAR	MB
05APR23	Second Rel	SAR	MB

Title Ultium PowerUP+ Charge Station User Manual

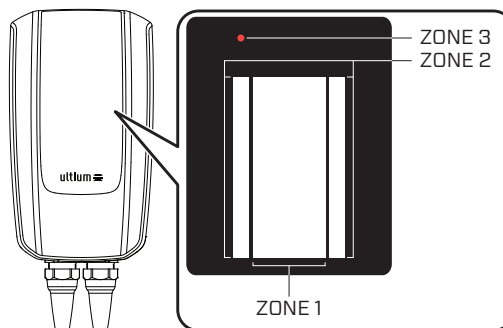
PART No.

SHEET

4. INDICATOR OVERVIEW

The Ultium PowerUP+ Charge Station is equipped with an indicator panel located on the front of the unit.

The indicator panel displays charge status and errors.



FUNCTION	DESCRIPTION	INDICATION	ACTION
POWER	Power is on	ZONE 1: FADING ZONE 2: FADING	No action required, device is functional
CHARGING	Charge cable correctly connected	ZONE 2: SOLID LIGHT	No action required, device is functional
	Charging in progress	ZONE 1: FLASHING ZONE 2: SOLID LIGHT	No action required, device is functional
	Charging complete	ZONE 1: SOLID LIGHT ZONE 2: SOLID LIGHT	Vehicle fully charged → charge cable can be removed and stored For more information, refer to: OPERATING INSTRUCTIONS → STEP 10
	Charging paused	ZONE 2: FLASHING	Charging manually paused via the Manufacturer App → Refer to App for further information or to resume charging
UPDATE	Software update	ALL ZONES: FLASHING	A software update is in progress. For more information, refer to: TROUBLESHOOTING → SOFTWARE
ERRORS	Hazardous error	ZONE 3: SOLID LIGHT	For more information, refer to: TROUBLESHOOTING
	Manually resettable error	ZONE 3: FLASHING	For more information, refer to: TROUBLESHOOTING

R 05APR23

PART No. 85642869

SHEET

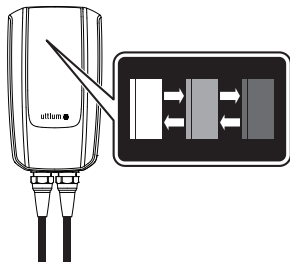
ALL INFORMATION WITHIN ABOVE BORDER TO BE PRINTED EXACTLY AS SHOWN ON 8.5 x 11 WHITE 16 POUND NON-BOND RECYCLABLE PAPER. PRINT ON BOTH SIDES EXCLUDING TEMPLATES. TO BE UNITED IN ACCORDANCE WITH GMCCA SPECIFICATIONS.

Date	Revision	Auth	DR
31MAR23	First Rel	SAR	MB
05APR23	Second Rel	SAR	MB

Title	PART No.	SHEET
Ultium PowerUP+ Charge Station User Manual		11

5. OPERATING INSTRUCTIONS

1. **⚠CAUTION:** When the Ultium PowerUP+ Charge Station is connected to the outlet, and powered on, ZONES 1 & 2 will fade in and out.



2. Bluetooth® connection:
 - Android – Swipe down from the top of the screen → Press “Bluetooth®” to activate
 - iOS – Go to “Settings” → “Bluetooth®” → toggle to activate
 - Other operating systems – Refer to the smart mobile device manual to correctly establish the Bluetooth® connection

3. For GM vehicle owners, install the GM My Brand App using the following steps:
 - Android – On the smart mobile device go to “Play Store” → search for “MyBuick | MyCadillac | MyChevrolet | MyGMC” → “Install”
 - iOS – On the smart mobile device go to “App store” → search for “MyBuick | MyCadillac | MyChevrolet | MyGMC” → “Get” → “Install”
 - Other operating systems – Refer to the smart mobile device manual to correctly select the App store and install the MyBuick | MyCadillac | MyChevrolet | MyGMC App

To register a My Brand account and set up the Ultium PowerUP+ Charge Station, use the following steps:

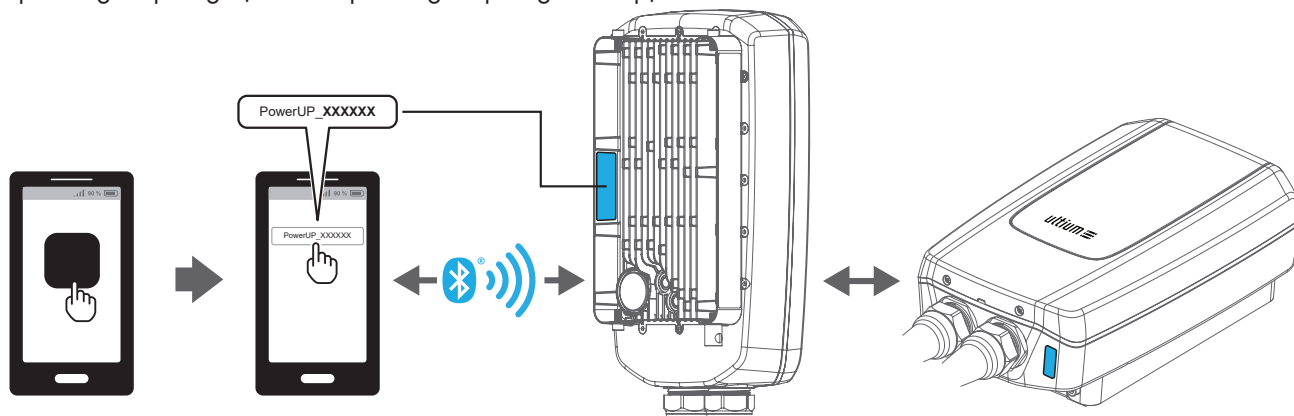
- Open the MyBuick | MyCadillac | MyChevrolet | MyGMC App → Create a My Brand account, and sign in → Register the new GM vehicle in the app
- Go to “Homepage” → select “Charge Status” and set up the charger. Alternatively, go to the “More” menu and select “PowerUP chargers” to set up the Ultium PowerUP+ Charge Station
- For existing GM vehicle owners, sign into your My Brand account → Go to “Homepage” → select “Charge Status” and set up the charger. Alternatively, go to the “More” menu and select “PowerUP chargers” to set up the the Ultium PowerUP+ Charge Station

R 05APR23					PART No. 85642869	SHEET	
ALL INFORMATION WITHIN ABOVE BORDER TO BE PRINTED EXACTLY AS SHOWN ON 8.5 x 11 WHITE 16 POUND NON-BOND RECYCLABLE PAPER. PRINT ON BOTH SIDES EXCLUDING TEMPLATES. TO BE UNITED IN ACCORDANCE WITH GMCCA SPECIFICATIONS.	Date	Revision	Auth	DR	Title Ultium PowerUP+ Charge Station User Manual	PART No.	
	31MAR23	First Rel	SAR	MB			SHEET 12
	05APR23	Second Rel	SAR	MB			

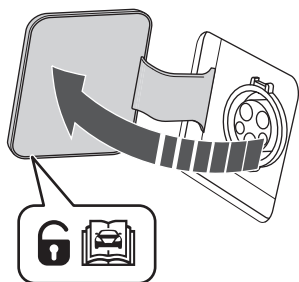
4. For non-GM vehicle owners, install the Ultium PowerUP App using the following steps:
 - Android - On the smart mobile device go to "Play Store" → search for "Ultium PowerUP" → "Install"
 - iOS - On the smart mobile device go to "App store" → search for "Ultium PowerUP" → "Get" → "Install"
 - Other operating systems - Refer to the smart mobile device manual to correctly select the App store and install the Ultium PowerUP App

To register an account and set up the Ultium PowerUP+ Charge Station, use the following steps:

- Open the Ultium PowerUP App → Create an account, and sign in → Go to "Homepage" → select "Add New Charger" to set up the Ultium PowerUP+ Charge Station
5. To pair the smart mobile device, the Ultium PowerUP+ Charge Station **must not** be connected to a vehicle. The pairing mode is always active. When paired, the smart mobile device can be connected to the Ultium PowerUP+ Charge Station during any point of use.
 6. When connecting a smart mobile device to the Ultium PowerUP+ Charge Station, enter the Bluetooth® pairing code. The last six numbers of the Bluetooth® pairing code are found on the rear and bottom of the Ultium PowerUP+ Charge Station. After pairing, all features of GM My Brand App can be used, including setting the Ultium PowerUP+ Charge Station operating amperage (default operating amperage 6 Amp).



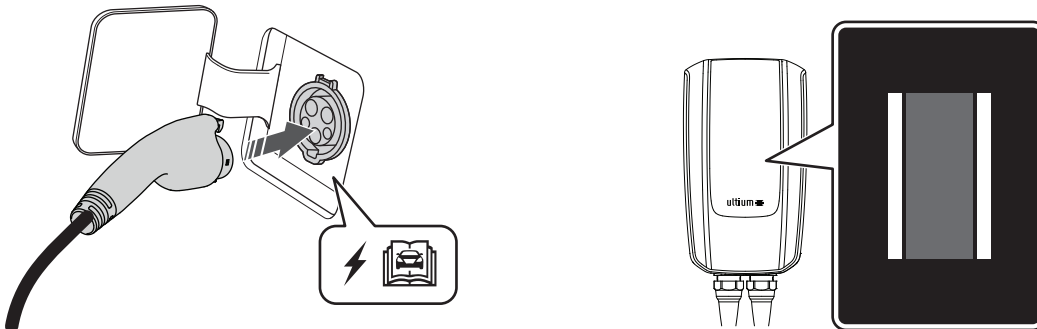
7. To charge, refer to the vehicle owner's manual to find the charging outlet location and how to correctly connect the Ultium PowerUP+ Charge Station to the vehicle. Before connecting the Ultium PowerUP+ Charge Station to the vehicle, make sure the electric power/voltage is suitable, according to the vehicle owner's manual.



R 05APR23					PART No. 85642869	SHEET
ALL INFORMATION WITHIN ABOVE BORDER TO BE PRINTED EXACTLY AS SHOWN ON 8.5 x 11 WHITE 16 POUND NON-BOND RECYCLABLE PAPER. PRINT ON BOTH SIDES EXCLUDING TEMPLATES. TO BE UNITED IN ACCORDANCE WITH GMCCA SPECIFICATIONS.	Date	Revision	Auth	DR	Title Ultium PowerUP+ Charge Station User Manual	
	31MAR23	First Rel	SAR	MB		
	05APR23	Second Rel	SAR	MB	PART No.	SHEET
						13

8. FULLY UNCOIL THE CHARGING CABLE BEFORE CONNECTING.

When the charging plug is connected to the vehicle charging outlet correctly, ZONE 2 on the indicator panel will show a constant light. The Ultium PowerUP+ Charge Station will be waiting for a smart mobile device to authorize a charging session or the pre-programmed charging schedule to start.

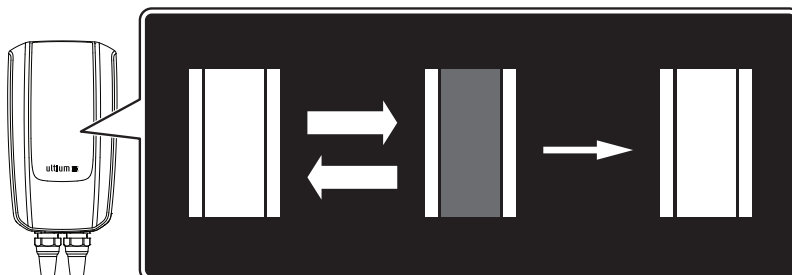


9. During charging:

- ZONE 1 → Flashing
- ZONE 2 → Constant light

When the charge is complete

- ZONE 1 → Constant light
- ZONE 2 → Constant light



10. When the vehicle is fully charged:

- Unlock the charging plug from the vehicle charging outlet as per the vehicle owner's manual
- Loosely wrap the charging cable on the wall mount so that the cable doesn't come into contact with the floor
- Put the charging plug back into the holster



R 05APR23

PART No. 85642869

SHEET

ALL INFORMATION WITHIN ABOVE BORDER TO BE PRINTED EXACTLY AS SHOWN ON 8.5 x 11 WHITE 16

POUND NON-BOND RECYCLABLE PAPER. PRINT ON BOTH SIDES EXCLUDING TEMPLATES. TO BE

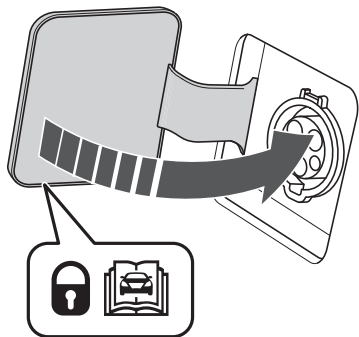
UNITED IN ACCORDANCE WITH GMCCA SPECIFICATIONS.

Date	Revision	Auth	DR
31MAR23	First Rel	SAR	MB
05APR23	Second Rel	SAR	MB

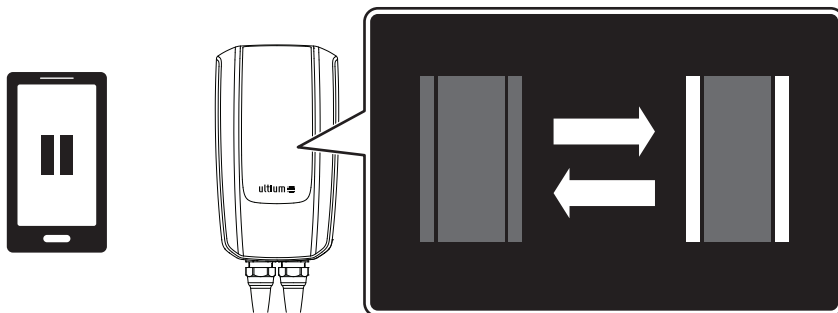
Title Ultium PowerUP+ Charge Station User Manual

PART No. SHEET 14

11. After disconnecting the Ultium PowerUP+ Charge Station, lock the charging outlet as per the vehicle owner's manual.



- ZONE 2 flashing indicates that the charging session was manually paused via the GM My Brand App. Refer to the GM My Brand App for further information or to resume charging.



R 05APR23

PART No. 85642869

SHEET

ALL INFORMATION WITHIN ABOVE BORDER TO BE PRINTED EXACTLY AS SHOWN ON 8.5 x 11 WHITE 16

POUND NON-BOND RECYCLABLE PAPER. PRINT ON BOTH SIDES EXCLUDING TEMPLATES. TO BE

UNITED IN ACCORDANCE WITH GMCCA SPECIFICATIONS.

Date	Revision	Auth	DR
31MAR23	First Rel	SAR	MB
05APR23	Second Rel	SAR	MB

Title Ultium PowerUP+ Charge Station User Manual

PART No.

SHEET

6. MAINTENANCE AND STORAGE INSTRUCTIONS

- **⚠WARNING:** DO NOT open the Ultium PowerUP+ Charge Station; contact a certified electrician.
- **⚠WARNING:** To reduce risk of ELECTRIC SHOCK, switch off supply power to the Ultium PowerUP+ Charge Station from the circuit breaker before attempting cleaning where possible.
- **⚠CAUTION:** To clean the Ultium PowerUP+ Charge Station, use a dry cloth where possible.
- **⚠CAUTION:** The Ultium PowerUP+ Charge Station is not designed to be hardwired repeatedly and uninstalled, doing so may cause damage to the unit.
- **⚠CAUTION:** The Ultium PowerUP+ Charge Station is designed to be installed and remain hardwired.
- **⚠CAUTION:** To store or relocate a hardwired Ultium PowerUP+ Charge Station; contact the manufacturer customer service or a Certified Electrician.

6.1 DISPOSAL

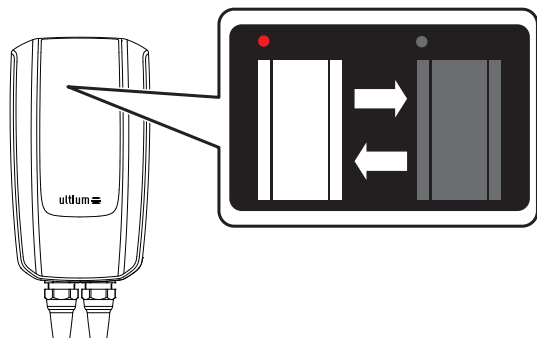
- **⚠CAUTION:** DO NOT place the product in regular trash containers. Strictly follow the local regulations regarding the disposal and recycling of product.

R 05APR23					PART No. 85642869		SHEET	
ALL INFORMATION WITHIN ABOVE BORDER TO BE PRINTED EXACTLY AS SHOWN ON 8.5 x 11 WHITE 16 POUND NON-BOND RECYCLABLE PAPER. PRINT ON BOTH SIDES EXCLUDING TEMPLATES. TO BE UNITED IN ACCORDANCE WITH GMCCA SPECIFICATIONS.	Date	Revision	Auth	DR	Title Ultium PowerUP+ Charge Station User Manual			
	31MAR23	First Rel	SAR	MB				
	05APR23	Second Rel	SAR	MB	PART No.		SHEET	
							16	

7. TROUBLESHOOTING

7.1 SOFTWARE

- Before updating the Ultium PowerUP+ Charge Station software, make sure there is a stable internet connection via Wi-Fi
- IMPORTANT NOTE: If the internet connection is not stable, the software update process may take longer than expected
- Software update status can be viewed on the App and by the flashing indicators shown below



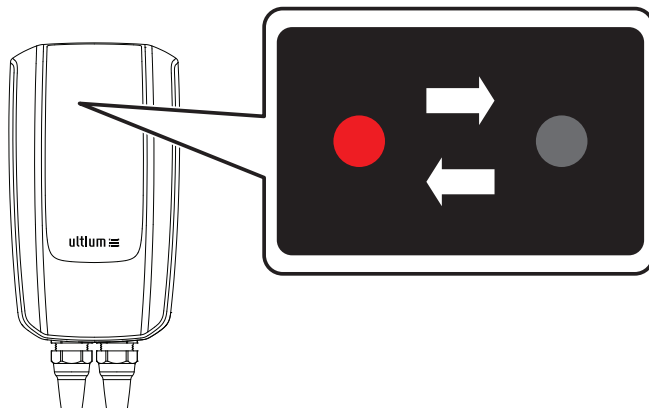
7.2 MOBILE APP

- If there is a power interruption, the Mobile App will show that the Ultium PowerUP+ Charge Station has stopped the charging session due to an error
- If charging an EV with the Ultium PowerUP+ Charge Station and there is a power failure, the charging session will stop
When the power is restored, the charging session can continue
- Power failures will not affect the Mobile App Charging Schedule
- The App will display information related to errors and suggested actions
- When using the Mobile App, make sure Bluetooth® is activated on the smart mobile device and that it is within Bluetooth® range of the unit

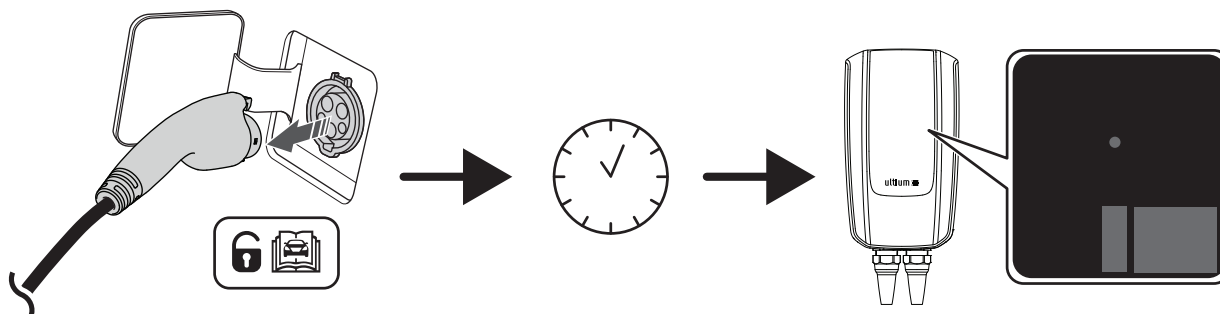
R 05APR23					PART No. 85642869	SHEET
ALL INFORMATION WITHIN ABOVE BORDER TO BE PRINTED EXACTLY AS SHOWN ON 8.5 x 11 WHITE 16 POUND NON-BOND RECYCLABLE PAPER. PRINT ON BOTH SIDES EXCLUDING TEMPLATES. TO BE UNITED IN ACCORDANCE WITH GMCCA SPECIFICATIONS.	Date	Revision	Auth	DR	Title Ultium PowerUP+ Charge Station User Manual	
	31MAR23	First Rel	SAR	MB		
	05APR23	Second Rel	SAR	MB		
					PART No.	SHEET 17

7.3 MANUALLY RESETTABLE ERROR

1. If ZONE 3 indicates a flashing light, as shown below, it means that a resettable error has occurred.



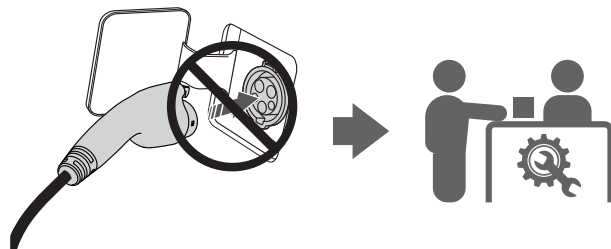
2.
 - Remove the charging plug from the vehicle's outlet
 - Wait for the ZONE 3 light to stop flashing
 - Reconnect the charging plug to the vehicle's outlet



3. If the error still appears after a maximum of 3 attempts → check the mobile app for overheating errors → allow the Ultium PowerUP+ Charge Station to cool down.

If the error is still present, contact the manufacturer dealership or sales point (refer to SUPPORT section for further information).

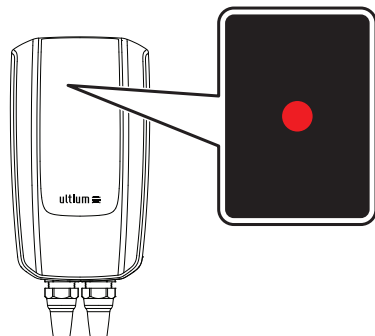
CAUTION: DO NOT attempt to connect the Ultium PowerUP+ Charge Station to the vehicle.



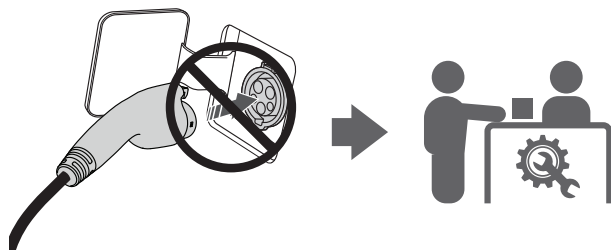
R 05APR23					PART No. 85642869	SHEET
ALL INFORMATION WITHIN ABOVE BORDER TO BE PRINTED EXACTLY AS SHOWN ON 8.5 x 11 WHITE 16 POUND NON-BOND RECYCLABLE PAPER. PRINT ON BOTH SIDES EXCLUDING TEMPLATES. TO BE UNITED IN ACCORDANCE WITH GMCCA SPECIFICATIONS.	Date	Revision	Auth	DR	Title Ultium PowerUP+ Charge Station User Manual	PART No. SHEET
	31MAR23	First Rel	SAR	MB		
	05APR23	Second Rel	SAR	MB		
					18	

7.4 HAZARDOUS ERROR

1. If ZONE 3 indicates as shown below, it means that the unit needs servicing or replacing.



2.
 - **⚠WARNING:** MAKE SURE the Ultium PowerUP+ Charge Station is within the operational temperature limits as follows: -22°F to +122°F (-30°C to +50°C)
 - **⚠WARNING:** Where safe and practical to do so; carefully switch the Ultium PowerUP+ Charge Station circuit breaker at the mains supply to the 'Off' position
 - **⚠WARNING:** DO NOT attempt to connect the Ultium PowerUP+ Charge Station to the vehicle
 - **⚠WARNING:** If the Ultium PowerUP+ Plus Charge Station is connected to a vehicle, DO NOT attempt to disconnect from the vehicle or touch any of the equipment or vehicle
 - **⚠WARNING:** Contact the GM dealership or sales point (refer to SUPPORT section or further information).
 - **⚠WARNING:** Notify the Ultium PowerUP+ Charge Station owner's and / or operators.



R 05APR23					PART No. 85642869	SHEET
ALL INFORMATION WITHIN ABOVE BORDER TO BE PRINTED EXACTLY AS SHOWN ON 8.5 x 11 WHITE 16 POUND NON-BOND RECYCLABLE PAPER. PRINT ON BOTH SIDES EXCLUDING TEMPLATES. TO BE UNITED IN ACCORDANCE WITH GMCCA SPECIFICATIONS.	Date	Revision	Auth	DR	Title Ultium PowerUP+ Charge Station User Manual	PART No. SHEET
	31MAR23	First Rel	SAR	MB		
	05APR23	Second Rel	SAR	MB		
					PART No.	SHEET 19

8. TECHNICAL DATA

Model number	3005
Charging method	AC Level 2
Vehicle connector	Type 1
Installation	Hardwired 208/240 VAC, 100 Amp dedicated circuit
Number of phases	Split single phase
Charging voltage	208 / 240 VAC
Charging current	80 Amp
Rated frequency, fn	50-60 Hz
Charging power	19.2 kW
Humidity	0-95%
Max. Altitude	11483 ft. (3500 m)
Cooling	Heat sink, natural convection
Energy meter	Yes, internal
Positioning	Fixing plate, wall mount
Enclosure dimensions	6 x 9.8 x 17.2 inches (152.4 x 249 x 436.9 mm)
Enclosure material	Plastic, metal
Enclosure color	White/Black
Degree of protection	Watertight, Type 4X
Charge cable length	25 ft. (7.5 m)
Net weight (unit with cables)	Approximately 33 lbs (14.9kg)
Net weight (holster)	Approximately 1.7 lbs (0.8kg)
Packaging weight	Approximately 40 lbs (18.1kg)
Packaging size (LxWxH)	30.7 x 13.8 x 7.3 inches (780 x 350.5 x 185.4 mm)
User interface	LED interface
Connectivity	Bluetooth® wireless technology, Wi-Fi
Communication protocol	OCPP 1.6
App support	Smart device display, Manufacturer App for Android and iOS
Ambient operation temperature and storage temperature	-22°F to +122°F (-30°C to +50°C)

9. OVERCURRENT AND SHORT-CIRCUIT PROTECTION

Rated current, In	80 Amp
Ground fault detection	Integrated, no additional required (CCID20)
RCD	Manual Reset

R 05APR23					PART No. 85642869		SHEET	
ALL INFORMATION WITHIN ABOVE BORDER TO BE PRINTED EXACTLY AS SHOWN ON 8.5 x 11 WHITE 16 POUND NON-BOND RECYCLABLE PAPER. PRINT ON BOTH SIDES EXCLUDING TEMPLATES. TO BE UNITED IN ACCORDANCE WITH GMCCA SPECIFICATIONS.	Date	Revision	Auth	DR	Title Ultium PowerUP+ Charge Station User Manual			
	31MAR23	First Rel	SAR	MB				
	05APR23	Second Rel	SAR	MB	PART No.		SHEET	
							20	

10. BLUETOOTH®

The Bluetooth® word mark and logos are registered trademarks owned by Bluetooth SIG, Inc. and any use of such marks by GM is under license. Other trademarks and trade names are those of their respective owner's.

11. SUPPORT

For support, FAQ, latest revised manual and more information about GM product visit GM's website or contact GM.

	EV Chevrolet/Buick/GMC Concierge	EV Cadillac Concierge	EV Hummer Concierge
US*	1-833-382-4389	1-844-382-2345	1-833-486-6373
CANADA**	1-833-382-4389	1-844-382-2345	1-833-486-6373

* Hours of Operation: Monday - Friday 8am - 12am EST; Saturday - Sunday 12pm - 9pm EST

** Hours of Operation: Monday - Friday 8am - 9pm EST; Saturday 8am - 5pm EST, Sunday Closed

12. COMPLIANCE

- ENERGY STAR® approved, learn more at energystar.gov
- UL 2594
- UL 2231-1
- UL 2231-2
- CSA C22.2 No.280-16
- CSA C22.2 No.281-1
- CSA C22.2 No.281-2

13. FCC STATEMENT

FCC Radiation Exposure Statement: This equipment complies with FCC radiation exposure limits set forth for an uncontrolled environment. This equipment should be installed and operated with minimum distance 20cm between the radiator & your body.

This device complies with part 15 of the FCC Rules. Operation is subject to the following two conditions:

(1) This device may not cause harmful interference, and (2) this device must accept any interference received, including interference that may cause undesired operation.

NOTE: This equipment has been tested and found to comply with the limits for a Class B digital device, pursuant to part 15 of the FCC Rules. These limits are designed to provide reasonable protection against harmful interference in a residential installation. This equipment generates, uses and can radiate radio frequency energy and, if not installed and used in accordance with the instructions, may cause harmful interference to radio communications. However, there is no guarantee that interference will not occur in a particular installation. If this equipment does cause harmful interference to radio or television reception, which can be determined by turning the equipment off and on, the user is encouraged to try to correct the interference by one or more of the following measures:

- Reorient or relocate the receiving antenna.
- Increase the separation between the equipment and receiver.
- Connect the equipment into an outlet on a circuit different from that to which the receiver is connected.
- Consult the dealer or an experienced radio/TV technician for help.

R 05APR23					PART No. 85642869	SHEET
ALL INFORMATION WITHIN ABOVE BORDER TO BE PRINTED EXACTLY AS SHOWN ON 8.5 x 11 WHITE 16 POUND NON-BOND RECYCLABLE PAPER. PRINT ON BOTH SIDES EXCLUDING TEMPLATES. TO BE UNITED IN ACCORDANCE WITH GMCCA SPECIFICATIONS.	Date	Revision	Auth	DR	Title Ultium PowerUP+ Charge Station User Manual	PART No. SHEET 21
	31MAR23	First Rel	SAR	MB		
	05APR23	Second Rel	SAR	MB		

14. FCC RESPONSIBLE PARTY

This complies with FCC rule part 2.1077(a)(3)

NAME	Bobbie DuMelle
POSITION	Executive Vice President - Aftermarket
ADDRESS	CTEK INC. 5521 N. CUMBERLAND AVE SUITE 1104 CHICAGO IL 60656 USA
CONTACT	TEL: +1 (312) 967 1430 EMAIL: bobbie.dumelle@ctek.com

15. ISED COMPLIANCE STATEMENT

This equipment complies with ISED radiation exposure limits set forth for an uncontrolled environment. This equipment should be installed and operated with greater than 20cm between the radiator & your body.

This device complies with Industry Canada's license exempt RSSs. Operation is subject to the following two conditions: (1) This device may not cause interference; and (2) This device must accept any interference, including interference that may cause undesired operation of the device.

This device complies with: CAN ICES-003 (B)/NMB-003(B).

16. NATIONAL USAGE RESTRICTIONS

Some countries, states or provinces have other electrical codes and standards than stated in this manual. The installation and usage of the product shall follow local regulations. The product is intended for use by general public. The product is intended for locations with both restricted access and non-restricted access.

R 05APR23					PART No. 85642869		SHEET	
ALL INFORMATION WITHIN ABOVE BORDER TO BE PRINTED EXACTLY AS SHOWN ON 8.5 X 11 WHITE 16 POUND NON-BOND RECYCLABLE PAPER. PRINT ON BOTH SIDES EXCLUDING TEMPLATES. TO BE UNITED IN ACCORDANCE WITH GMCCA SPECIFICATIONS.	Date	Revision	Auth	DR	Title Ultium PowerUP+ Charge Station User Manual			
	31MAR23	First Rel	SAR	MB				
	05APR23	Second Rel	SAR	MB	PART No.		SHEET	
							22	

17. LIMITED WARRANTY

General Motors issues a limited warranty to the original purchaser of the product. This limited warranty is not transferable. The warranty applies to manufacturing faults and material defects. The customer must return the product for inspection together with the receipt of purchase to a GM Dealer. GM will repair or replace the part, at its sole discretion and at no charge, if the part fails due to a defect in material or workmanship during the warranty coverage period.

PRODUCT	WARRANTY PERIOD
Ultium PowerUP+ Charge Station	3 years ¹

This Warranty Does Not Cover:

- Damage or failure due to negligence, alteration, accident, abuse, improper installation, or use for a purpose which the product is not designed or approved by GM
- Loss of time, inconvenience, loss of use of the vehicle, or other consequential damages
- Labor cost for electrical diagnosis, removal or installation
- Products utilized for vehicles registered and normally operated outside of the United States or Canada

Other Terms:

Any implied warranty of merchantability or fitness for a particular purpose applicable to these parts is limited in duration to that of this written warranty. The remedy provided above is the exclusive remedy under this written warranty or any implied warranty. Some states do not allow any limitation on the duration of an implied warranty or the exclusion or limitation of incidental or consequential damages; therefore, the above limitations or exclusions may not apply to you. This warranty provides specific legal rights; you may also have other rights, depending on the state or province in which you reside.

¹ Subsequent replacements under the warranty will receive the balance of the original warranty period.

R 05APR23					PART No. 85642869	SHEET
ALL INFORMATION WITHIN ABOVE BORDER TO BE PRINTED EXACTLY AS SHOWN ON 8.5 x 11 WHITE 16 POUND NON-BOND RECYCLABLE PAPER. PRINT ON BOTH SIDES EXCLUDING TEMPLATES. TO BE UNITED IN ACCORDANCE WITH GMCCA SPECIFICATIONS.	Date	Revision	Auth	DR	Title Ultium PowerUP+ Charge Station User Manual	PART No. SHEET
	31MAR23	First Rel	SAR	MB		
	05APR23	Second Rel	SAR	MB		
					23	

CONTENTS

1. CONSIGNE DE SÉCURITÉ IMPORTANTE	3
2. GÉNÉRALITÉS	3
2.1 CARACTÉRISTIQUES DE LA BORNE STANDARD	4
2.2 CARACTÉRISTIQUES CONNECTÉES	4
2.3 APPLICATION MOBILE	4
2.4 INCLUS DANS LA BOÎTE	5
2.5 INCLUS DANS LA BOÎTE D'ACCESSOIRES	5
2.6 APERÇU DE L'ÉQUIPEMENT	5
3. INSTRUCTIONS D'INSTALLATION	6
3.1 INSTRUCTIONS DE MONTAGE MURAL	7
3.1.1 MONTAGE DE LA BORNE DE CHARGE ULTIUM POWERUP+	7
3.1.2 MONTAGE DU SUPPORT MURAL DU CÂBLE	8
3.2 INSTALLATION CÂBLÉE	9
4. APERÇU DES INDICATEURS	11
5. MODÉ D'EMPLOI	12
6. INSTRUCTIONS DE MAINTENANCE ET DE STOCKAGE	16
6.1 MISE AU REBUT	16
7. DÉPANNAGE	17
7.1 LOGICIEL	17
7.2 APPLICATION MOBILE	17
7.3 ERREUR RÉINITIALISABLE MANUELLEMENT	18
7.4 ERREUR DANGEREUSE	19
8. DONNÉES TECHNIQUES	20
9. PROTECTION CONTRE LA SURINTENSITÉ ET LES COURT-CIRCUITS	20
10. BLUETOOTH®	21
11. SOUTIENS	21
12. CONFORMITÉ	21
13. DÉCLARATION DE LA FCC	21
14. RESPONSABLE FCC	22
15. ÉNONCÉ DE CONFORMITÉ ISED	22
16. RESTRICTIONS NATIONALES D'UTILISATION	22
17. GARANTIE LIMITÉE	23

À REMPLIR PAR L'ÉLECTRICIEN D'INSTALLATION POUR RÉFÉRENCE AU CLIENT

NUMÉRO DE SÉRIE :

CODE DE JUMELAGE BLUETOOTH :

TAILLE DU DISJONCTEUR :

RÉGLAGE DU COURANT RECOMMANDÉ :

R 05APR23					PART No. 85642869	SHEET	
ALL INFORMATION WITHIN ABOVE BORDER TO BE PRINTED EXACTLY AS SHOWN ON 8.5 X 11 WHITE 16 POUND NON-BOND RECYCLABLE PAPER. PRINT ON BOTH SIDES, EXCLUDING TEMPLATES. TO BE UNITED IN ACCORDANCE WITH GMCCA SPECIFICATIONS.	Date	Revision	Auth	DR	Title Ultium PowerUP+ Charge Station User Manual	PART No. SHEET	
	31MAR23	First Rel	SAR	MB			24
	05APR23	Second Rel	SAR	MB			

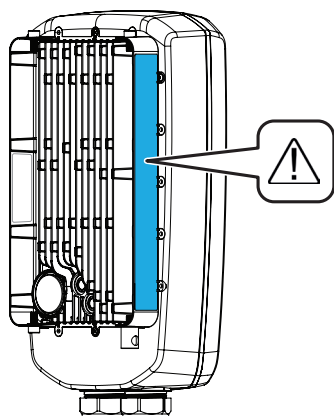
1. CONSIGNE DE SÉCURITÉ IMPORTANTE

⚠️ AVERTISSEMENT : Utilisez la borne de charge Ultium PowerUP+ conformément aux instructions de GM et de l'entreprise, comme indiqué dans les manuels d'utilisation fournis, pour éviter les RISQUES D'INCENDIE, DE DÉCHARGE ÉLECTRIQUE, ou de blessure à des personnes.

⚠️ AVERTISSEMENT : L'installation de la borne de charge Ultium PowerUP+ doit être effectuée par un électricien qualifié SEULEMENT.

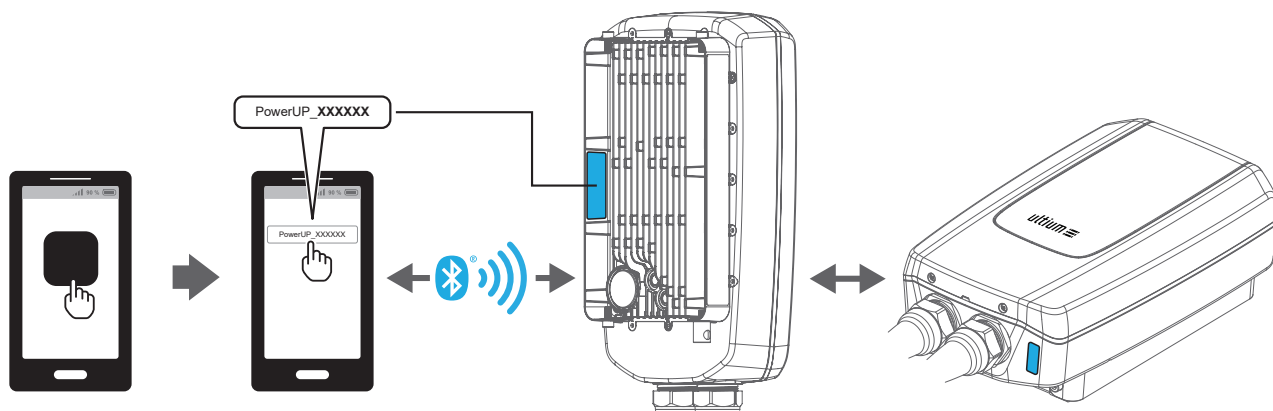
⚠️ AVERTISSEMENT : Lire et comprendre le manuel de sécurité de la borne de charge Ultium Powerup+. En cas de doute sur un aspect quelconque de l'installation, consulter un électricien qualifié.

⚠️ AVERTISSEMENT : Lire et comprendre l'étiquette d'information de sécurité avant de tenter d'installer ou d'utiliser la borne de charge Ultium PowerUP+. NE PAS essayer de retirer l'étiquette des mesures de sécurité qui peut se trouver à l'endroit montré ci-dessous.



2. GÉNÉRALITÉS

- Cette borne de charge Ultium PowerUP+ est conçue pour la recharge des véhicules électriques (VE) seulement. Pour en savoir plus, consulter le manuel du propriétaire du véhicule.
- N'oubliez pas d'enregistrer le code de jumelage Bluetooth®, qui est nécessaire pour connecter l'appareil à l'application mobile. Les six derniers chiffres du code d'appariement Bluetooth® se trouvent à l'arrière et au bas de la borne de charge Ultium Powerup+.
- REMARQUE : À moins qu'elle ne soit couplée via Bluetooth®, la station de charge Ultium PowerUP+ fonctionnera UNIQUEMENT à 6 ampères. L'intensité de fonctionnement peut être modifiée via l'application GM MyBrand/Ultium.



R 05APR23

PART No. 85642869

SHEET

ALL INFORMATION WITHIN ABOVE BORDER TO BE PRINTED EXACTLY AS SHOWN ON 8.5 x 11 WHITE 16

POUND NON-BOND RECYCLABLE PAPER. PRINT ON BOTH SIDES EXCLUDING TEMPLATES. TO BE

UNITED IN ACCORDANCE WITH GMCCA SPECIFICATIONS.

Date	Revision	Auth	DR
31MAR23	First Rel	SAR	MB
05APR23	Second Rel	SAR	MB

Title	PART No.	SHEET
Ultium PowerUP+ Charge Station User Manual		
	PART No.	SHEET
		25

2.1 CARACTÉRISTIQUES DE LA BORNE STANDARD

Puissance de charge maximale	Câblée - 19,2 kW
Longueur du câble de charge	25 pi (7,5 m)
Approvisionnement	Câblée 208/240 VCA, circuit dédié 100 A
Ampérage de fonctionnement max.	80 A
Disjoncteur	100 A
Certifiée Energy Star	Oui
Équilibrage de charge statique	Oui (∞)

2.2 CARACTÉRISTIQUES CONNECTÉES

Ethernet	Non
WiFi activé	Oui
Application mobile (fabricant)	Oui
Bluetooth®	Oui (plage d'environ 33 pi (10 m))
OCPP 1,6	Oui
Mise à jour du micrologiciel en direct	Oui
Soutien de service	Oui

2.3 APPLICATION MOBILE

GM dispose d'une gamme d'applications mobiles pouvant être utilisées avec la borne de charge Ultium Powerup+, notamment :



myBuick



myCadillac



myChevrolet



myGMC



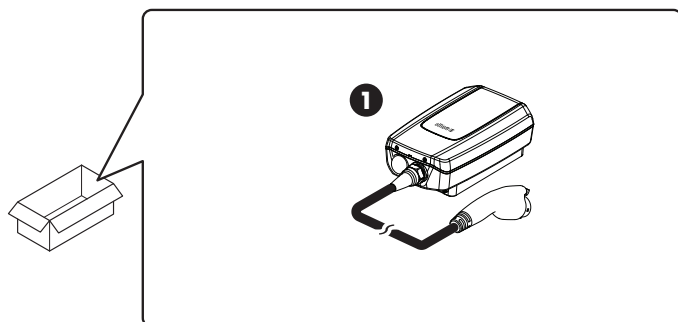
Borne de charge pour
VE Ultium de GM

Utilisez l'application de la marque appropriée associée à votre véhicule pour une fonctionnalité complète de l'application, y compris la connectivité Wi-Fi. Si vous n'avez pas de véhicule GM, mais que vous utilisez une borne de charge Ultium PowerUP+, utilisez l'application Ultium PowerUP.

REMARQUE : L'application de véhicule GM sera appelée « Appli My Brand » tout au long de la présente documentation de l'utilisateur.

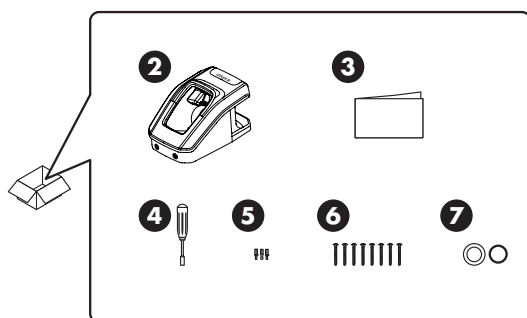
R 05APR23					PART No. 85642869	SHEET
<small>ALL INFORMATION WITHIN ABOVE BORDER TO BE PRINTED EXACTLY AS SHOWN ON 8.5 x 11 WHITE 16 POUND NON-BOND RECYCLABLE PAPER. PRINT ON BOTH SIDES EXCLUDING TEMPLATES. TO BE UNITED IN ACCORDANCE WITH GMCCA SPECIFICATIONS.</small>	Date	Revision	Auth	DR	Title	Ultium PowerUP+ Charge Station User Manual
	31MAR23	First Rel	SAR	MB		
	05APR23	Second Rel	SAR	MB		
					PART No.	SHEET 26

2.4 INCLUS DANS LA BOÎTE



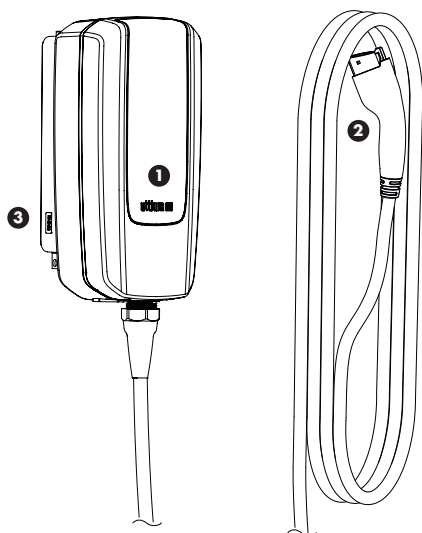
1. Borne de charge Ultium PowerUP+

2.5 INCLUS DANS LA BOÎTE D'ACCESSOIRES



2. Fixation murale du câble
3. Manuel d'utilisation/Manuel de sécurité/
Gabarit de perçage
4. Tournevis à embouts multiples
5. 3 embouts de tournevis
6. 8 vis
7. Joint torique et adaptateur de conduit

2.6 APERÇU DE L'ÉQUIPEMENT



1. Borne de charge Ultium PowerUP+ avec panneau d'indicateur
2. Connecteur pour VE de type 1
3. Support mural de la borne de charge

R 05APR23

PART No. 85642869

SHEET

ALL INFORMATION WITHIN ABOVE BORDER TO BE PRINTED EXACTLY AS SHOWN ON 8.5 x 11 WHITE 16

POUND NON-BOND RECYCLABLE PAPER. PRINT ON BOTH SIDES EXCLUDING TEMPLATES. TO BE

UNITED IN ACCORDANCE WITH GMCCA SPECIFICATIONS.

Date	Revision	Auth	DR	Title	
31MAR23	First Rel	SAR	MB	Ultium PowerUP+ Charge Station User Manual	
05APR23	Second Rel	SAR	MB		
PART No.				SHEET	27

3. INSTRUCTIONS D'INSTALLATION

RENSEIGNEMENTS IMPORTANTS :

- **⚠️ AVERTISSEMENT :** Lorsque vous installez la borne de charge Ultium PowerUP+, gardez à l'esprit l'emplacement du port de charge du véhicule afin que le câble de charge puisse l'atteindre. Montez le support mural du câble près du port de charge pour faciliter l'utilisation.
- **⚠️ AVERTISSEMENT :** Pour les équipements dont la puissance nominale est supérieure à 60 ampères ou à 150 volts à la terre, le dispositif de déconnexion doit être installé dans un emplacement facilement accessible. Le dispositif de déconnexion doit être verrouillable conformément à la norme NFPA 70, 110.25
- **⚠️ MISE EN GARDE :** L'emplacement de la borne de charge Ultium PowerUP+ doit être sûr et adéquat pour éviter tout danger.
- **⚠️ MISE EN GARDE :** Ce dispositif doit être monté à une hauteur suffisante par rapport au sol de sorte que la hauteur du moyen de stockage du dispositif d'accouplement soit située entre 600 mm (24 po) et 1,2 m (4 pi) du sol. **REMARQUE :** pour une utilisation à l'intérieur, 24 po (600 mm) peuvent être remplacés par 18 po (460 mm).
- **⚠️ MISE EN GARDE :** Ce dispositif doit être installé au moyen d'un câble métallique et doit être effectué par un électricien qualifié SEULEMENT..
- **⚠️ MISE EN GARDE :** Si la borne de charge Ultium PowerUP+ est endommagée pendant l'installation, arrêtez l'installation et contactez l'entreprise (voir la section SOUTIEN pour davantage d'informations).
- **⚠️ MISE EN GARDE :** Assurez-vous que l'installation de l'unité respecte les règles et lois locales et les permis locaux obligatoires.
- **⚠️ MISE EN GARDE :** Assurez-vous d'obtenir l'approbation du propriétaire ou de l'association de copropriétaires pour l'installation.
- **⚠️ MISE EN GARDE :** Assurez-vous que des attaches en acier inoxydable sont utilisées pour toutes les installations de montage.

R 05APR23					PART No. 85642869		SHEET	
ALL INFORMATION WITHIN ABOVE BORDER TO BE PRINTED EXACTLY AS SHOWN ON 8.5 x 11 WHITE 16 POUND NON-BOND RECYCLABLE PAPER. PRINT ON BOTH SIDES EXCLUDING TEMPLATES. TO BE UNITED IN ACCORDANCE WITH GMCCA SPECIFICATIONS.	Date	Revision	Auth	DR	Title Ultium PowerUP+ Charge Station User Manual			
	31MAR23	First Rel	SAR	MB				
	05APR23	Second Rel	SAR	MB	PART No.		SHEET	

3.1 INSTRUCTIONS DE MONTAGE MURAL

Les vis incluses sont utiles et ne peuvent être utilisées que sur des surfaces en bois. Elles peuvent également être utilisés sur le béton s'ils sont utilisés avec des chevilles pour mur en béton.

RENSEIGNEMENTS IMPORTANTS :

⚠ MISE EN GARDE : Assurez-vous qu'une surface adaptée au poids de la borne de charge l'Ultium PowerUP+ est choisie et que les bonnes vis sont utilisées pour la surface prévue et que l'unité est montée en toute sécurité sur le mur avant son utilisation. En cas de doute sur la surface appropriée ou sur les vis adaptées à l'application, contactez un spécialiste pour obtenir des conseils.

Ce dispositif doit être monté à une hauteur suffisante par rapport au sol de sorte que la hauteur du moyen de stockage du dispositif d'accouplement soit située entre 600 mm (24 po) et 1,2 m (4 pi) du sol.

REMARQUE : pour une utilisation à l'intérieur, 24 po (600 mm) peuvent être remplacés par 18 po (460 mm).

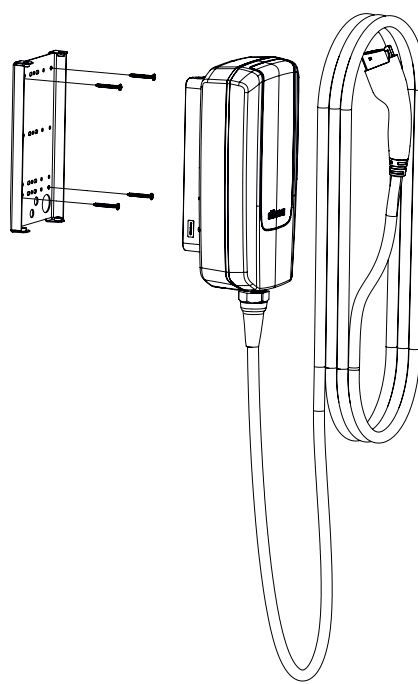
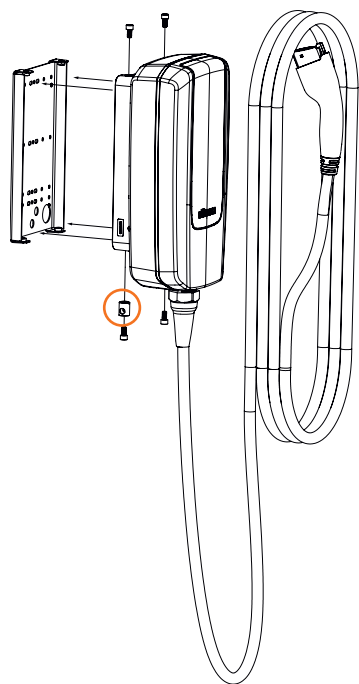
L'installation d'un cadenas est recommandée pour prévenir le vol. Cadenas non compris.

3.1.1 MONTAGE DE LA BORNE DE CHARGE ULTIUM POWERUP+

1. Dévisser les quatre vis, y compris l'écrou de sécurité (mis en surbrillance) pour accéder au support mural de la borne de charge, et conserver les vis (voir l'étape 3).

2. Monter le support mural de la borne de charge sur la surface prévue à l'aide des vis fournies (le cas échéant).

Remarque : un gabarit de perçage est fourni pour faciliter l'installation.



R 05APR23

PART No. 85642869

SHEET

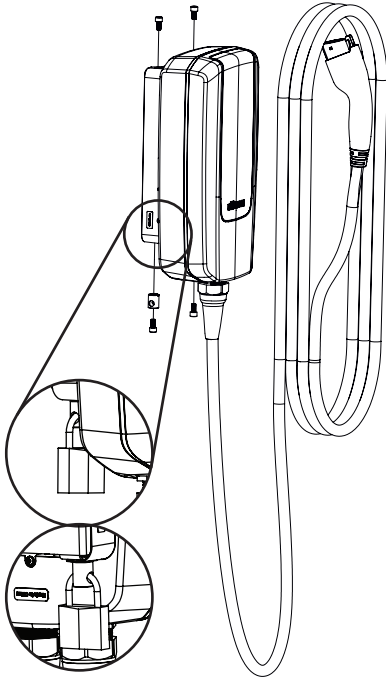
ALL INFORMATION WITHIN ABOVE BORDER TO BE PRINTED EXACTLY AS SHOWN ON 8.5 x 11 WHITE 16 POUND NON-BOND RECYCLABLE PAPER. PRINT ON BOTH SIDES EXCLUDING TEMPLATES. TO BE UNITED IN ACCORDANCE WITH GMCCA SPECIFICATIONS.

Date	Revision	Auth	DR
31MAR23	First Rel	SAR	MB
05APR23	Second Rel	SAR	MB

Title	Ultium PowerUP+ Charge Station User Manual	
PART No.		SHEET 29

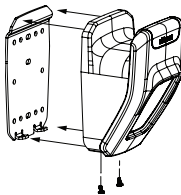
3. Fixer de nouveau la borne de recharge Ultium PowerUP+ sur le support mural à l'aide des vis précédemment retirées à l'étape 1.

Si un cadenas a été acheté, sécuriser l'unité en verrouillant le cadenas sur l'écrou de sécurité.

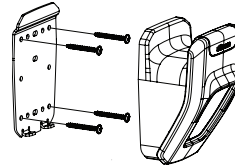


3.1.2 MONTAGE DU SUPPORT MURAL DU CÂBLE

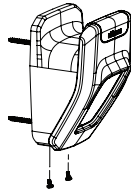
1. Dévisser les deux vis en bas pour accéder à la plaque de montage, conserver les vis.



2. Monter le support de montage sur la surface prévue à l'aide des vis fournies (le cas échéant). Remarque : un gabarit de perçage est fourni pour faciliter l'installation.



3. Fixer à nouveau le support mural du câble sur le support de montage à l'aide des vis précédemment retirées (voir l'étape 1).



R 05APR23

PART No. 85642869

SHEET

ALL INFORMATION WITHIN ABOVE BORDER TO BE PRINTED EXACTLY AS SHOWN ON 8.5 x 11 WHITE 16

POUND NON-BOND RECYCLABLE PAPER. PRINT ON BOTH SIDES EXCLUDING TEMPLATES. TO BE

UNITED IN ACCORDANCE WITH GMCCA SPECIFICATIONS.

Date	Revision	Auth	DR
31MAR23	First Rel	SAR	MB
05APR23	Second Rel	SAR	MB

Title Ultium PowerUP+ Charge Station User Manual

PART No.

SHEET

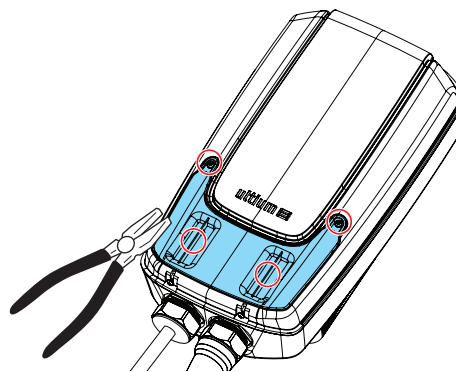
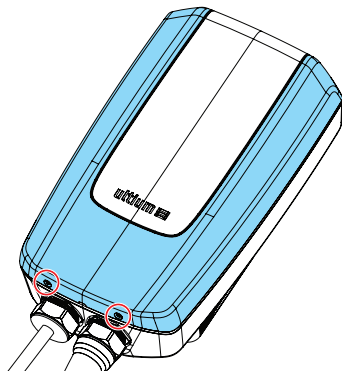
3.2 INSTALLATION CÂBLÉE

⚠️ AVERTISSEMENT : IMPORTANT - L'installation de fils rigides peut être effectuée **UNIQUEMENT** par des électriciens qualifiés.

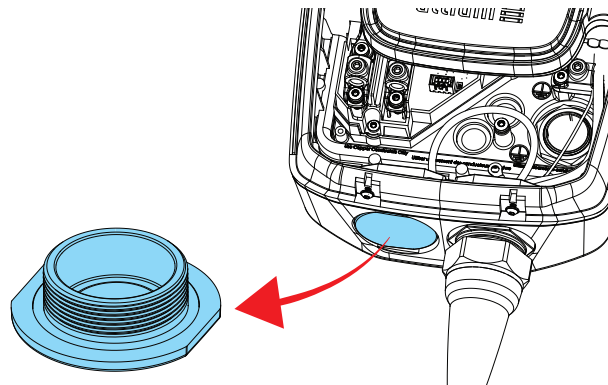
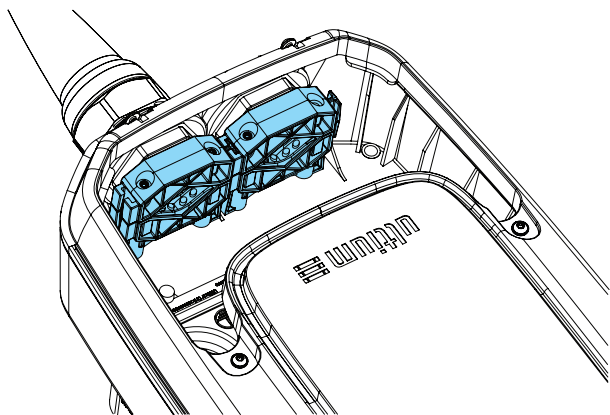
⚠️ MISE EN GARDE : Utiliser un fil de cuivre 3 AWG, 90° C pour les fils de cuivre L1, L2 et 8 AWG 90° C pour la mise à la terre pour l'installation du câblage sur le terrain.

L'installation d'un câble nécessite le retrait de la fiche NEMA 14-50 afin de raccorder en permanence la borne de charge Ultium PowerUP+ à l'alimentation principale entrante.

1. Retirer les deux vis situées à l'extrémité du couvercle avant (conserver les vis pour le remontage) → Retirer le couvercle avant.
2. Retirer les deux vis du couvercle de maintenance (conserver les vis pour le remontage) → Retirer le couvercle de maintenance à l'aide d'une pince et tirer sur les languettes comme indiqué.



3. Retirer les quatre vis et les rondelles qui fixent le serre-câble → Retirer le serre-câble (conserver les vis, les rondelles et le serre-câble pour le remontage).
4. Retirer le bouchon de l'ouverture pour l'installation du câble de fixation en desserrant l'écrou de fixation.



REMARQUE : Des composants peuvent avoir été supprimés afin de faciliter la clarté de lecture de l'image.

REMARQUE : Des composants peuvent avoir été supprimés afin de faciliter la clarté de lecture de l'image.

R 05APR23

PART No. 85642869

SHEET

ALL INFORMATION WITHIN ABOVE BORDER TO BE PRINTED EXACTLY AS SHOWN ON 8.5 x 11 WHITE 16

POUND NON-BOND RECYCLABLE PAPER. PRINT ON BOTH SIDES EXCLUDING TEMPLATES. TO BE

UNITED IN ACCORDANCE WITH GMCCA SPECIFICATIONS.

Date

31MAR23

05APR23

Revision

First Rel

Second Rel

Auth

SAR

SAR

DR

MB

MB

Title

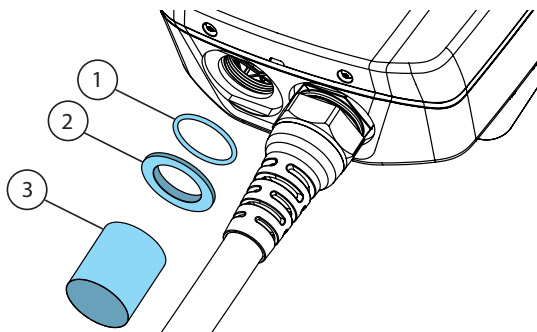
 Ultium PowerUP+ Charge Station
User Manual

PART No.

SHEET

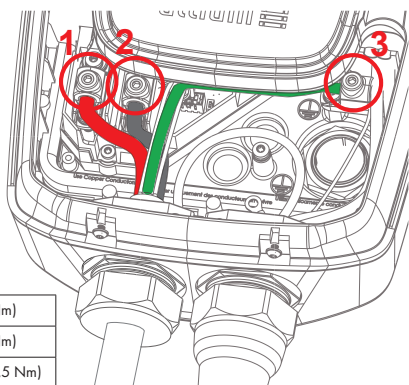
31

5. Installer le joint torique (1) et l'adaptateur de conduit (2) fournis dans la trousse d'outils. S'assurer qu'un conduit étanche à l'eau de 1 po (3) adapté au type 4X est utilisé (non fourni) Pousser le nouveau câble (rond) à travers le conduit.



REMARQUE : À des fins d'illustration seulement

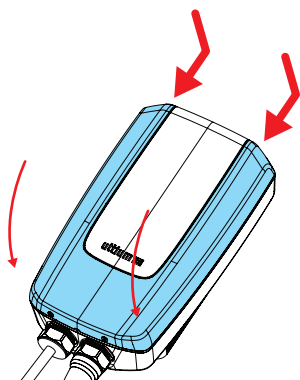
7. Installer les câbles dans les bornes et serrer les vis des bornes comme indiqué ci-dessous.



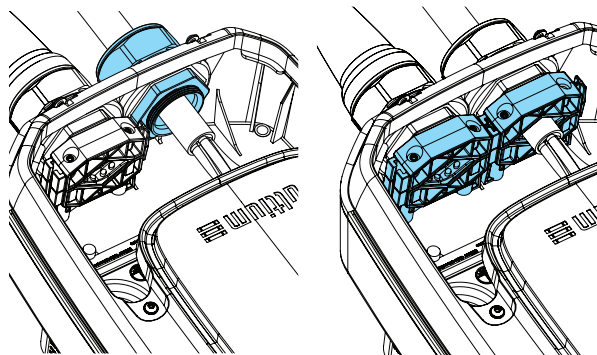
1	L1	5 pi/lb (7 Nm)
2	L2	5 pi/lb (7 Nm)
3	TERRE	2,5 pi/lb (3,5 Nm)

REMARQUE : Des composants peuvent avoir été supprimés afin de faciliter la clarté de lecture de l'image.

9. Réinstaller le couvercle avant avec ses deux vis et le serrer à un couple de 1 Nm (0,7 pied/livre). L'installation du câble est maintenant terminée.

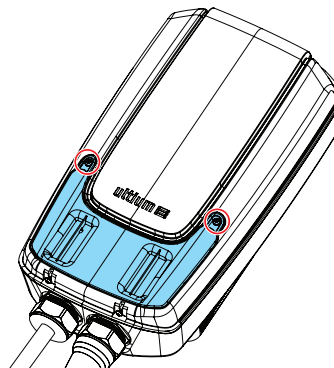


6. Fixer le presse-étoupe et le conduit nouvellement installés → Remonter le serre-câble (à partir de l'étape 3) sur le câble restant.



REMARQUE : Des composants peuvent avoir été supprimés afin de faciliter la clarté de lecture de l'image.

8. Fixer à nouveau le couvercle de maintenance avec ses deux vis et les serrer à 0,7 pied/livre (1 Nm).



10. Pour continuer la configuration de la station de charge Ultium PowerUP, reportez-vous à « 5. MODE D'EMPLOI » pour effectuer les opérations suivantes :

- Activation/désactivation du disjoncteur de la borne de recharge
- Couplage au Bluetooth®
- Téléchargement de l'application GM MyBrand / Ultium
- Création d'un compte utilisateur GM
- Charger un VE

REMARQUE POUR L'ÉLECTRICIEN

D'INSTALLATION : Assurez-vous que l'ampérage de fonctionnement correct a été défini via l'application GM MyBrand / Ultium des utilisateurs finaux après la configuration et le couplage à la station de charge Ultium PowerUP+(ampérage de fonctionnement par défaut 6 ampères).

R 05APR23

PART No. 85642869

SHEET

ALL INFORMATION WITHIN ABOVE BORDER TO BE PRINTED EXACTLY AS SHOWN ON 8.5 x 11 WHITE 16

POUND NON-BOND RECYCLABLE PAPER. PRINT ON BOTH SIDES EXCLUDING TEMPLATES. TO BE

UNITED IN ACCORDANCE WITH GMCCA SPECIFICATIONS.

Date	Revision	Auth	DR
31MAR23	First Rel	SAR	MB
05APR23	Second Rel	SAR	MB

Title Ultium PowerUP+ Charge Station User Manual

PART No.

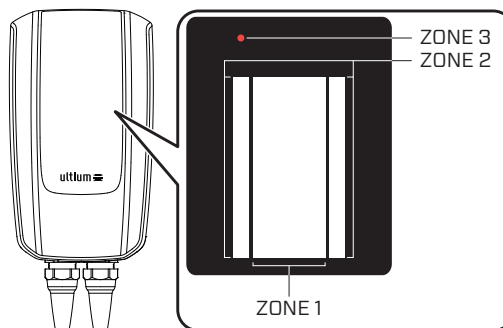
SHEET

32

4. APERÇU DES INDICATEURS

La borne de charge Ultium PowerUP+ est équipée d'un panneau indicateur situé à partir de l'unité.

Le panneau indicateur affiche l'état de la charge et les erreurs.



FONCTION	DESCRIPTION	INDICATION	ACTION
PUISSANCE	Puissance activée	ZONE 1 : AFFAIBLISSEMENT ZONE 2 : AFFAIBLISSEMENT	Aucune action requise, l'appareil est fonctionnel
	Le câble de charge est correctement connecté	ZONE 2 : LUMIÈRE FIXE	Aucune action requise, l'appareil est fonctionnel
CHARGE	Charge en cours	ZONE 1 : CLIGNOTANT ZONE 2 : LUMIÈRE FIXE	Aucune action requise, l'appareil est fonctionnel
	Charge terminée	ZONE 1 : LUMIÈRE FIXE ZONE 2 : LUMIÈRE FIXE	Véhicule entièrement chargé → le câble de charge peut être retiré et stocké Pour en savoir plus, consultez : MODE D'EMPLOI → ÉTAPE 10
	Charge interrompue	ZONE 2 : CLIGNOTANT	Charge interrompue manuellement au moyen de l'application du fabricant → Consultez l'application pour en savoir plus ou pour reprendre la charge
MISE À JOUR	Mise à jour logicielle	TOUTES LES ZONES : CLIGNOTANT	Une mise à jour logicielle est en cours. Pour en savoir plus, consultez : DÉPANNAGE → LOGICIEL
ERREURS	Erreur dangereuse	ZONE 3 : LUMIÈRE FIXE	Pour en savoir plus, consultez : DÉPANNAGE
	Erreur réinitialisable manuellement	ZONE 3 : CLIGNOTANT	Pour en savoir plus, consultez : DÉPANNAGE

R 05APR23

PART No. 85642869

SHEET

ALL INFORMATION WITHIN ABOVE BORDER TO BE PRINTED EXACTLY AS SHOWN ON 8.5 x 11 WHITE 16

POUND NON-BOND RECYCLABLE PAPER. PRINT ON BOTH SIDES EXCLUDING TEMPLATES. TO BE

UNITED IN ACCORDANCE WITH GMCCA SPECIFICATIONS.

Date

Revision

Auth

DR

Title

 Ultium PowerUP+ Charge Station
User Manual

31MAR23

First Rel

SAR

MB

05APR23

Second Rel

SAR

MB

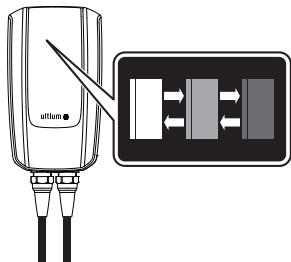
PART No.

SHEET

33

5. MODE D'EMPLOI

1. **MISE EN GARDE** : Lorsque la borne de charge Ultium PowerUP+ est connectée à la prise et sous tension, les ZONES 1 et 2 s'éteignent.



2. Connexion Bluetooth® :
 - Android - Faire glisser vers le bas à partir du haut de l'écran → Appuyer sur « Bluetooth® » pour activer
 - iOS - Aller à « Paramètres » → « Bluetooth® » → basculer pour activer
 - Autres systèmes d'exploitation - Se reporter au manuel du téléphone intelligent pour établir correctement la connexion Bluetooth®
3. Pour les propriétaires de véhicules GM, installez l'application My Brand GM en suivant les étapes ci-dessous :
 - Android - Sur l'appareil mobile intelligent, allez à « Play Store » → recherchez « MyBuick | MyCadillac | MyChevrolet | MyGMC » → « Installer »
 - iOS - Sur l'appareil mobile intelligent, allez à « App Store » → recherchez « MyBuick | MyCadillac | MyChevrolet | MyGMC » → « Obtenir » → « Installer »
 - Autres systèmes d'exploitation - Consultez le manuel sur les dispositifs mobiles intelligents pour sélectionner correctement l'App Store et installer l'application MyBuick | MyCadillac | MyChevrolet | MyGMC.

Pour enregistrer un compte My Brand et configurer la borne de charge Ultium PowerUP+, procédez comme suit :

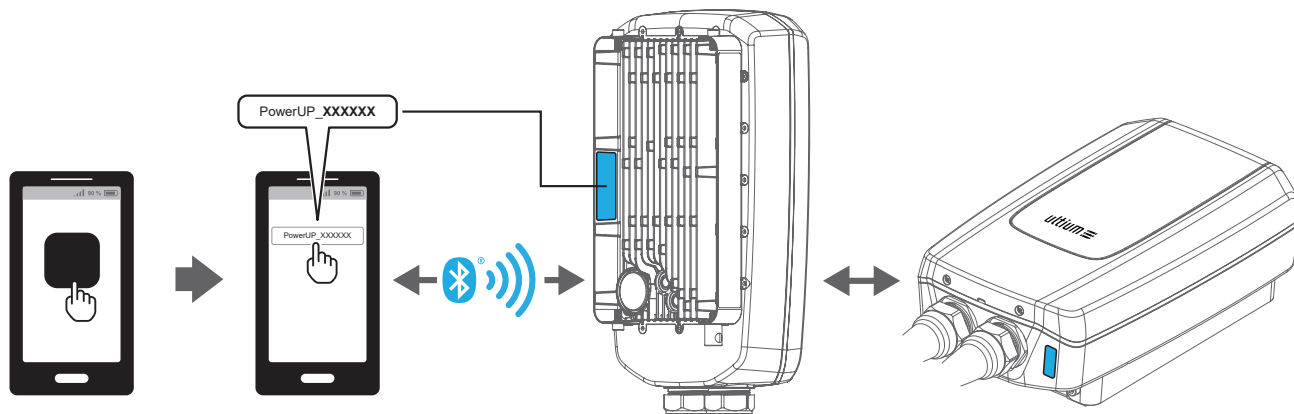
- Ouvrez l'application MyBuick | MyCadillac | MyChevrolet | MyGMC → Créez un compte My Brand et ouvrez une session → Enregistrez le nouveau véhicule GM dans l'application
- Allez à la « page d'accueil » → Sélectionnez « État de la charge » et configurez le chargeur. Vous pouvez également accéder au menu « Plus » et sélectionner « chargeurs PowerUP » pour configurer la borne de charge Ultium PowerUP+.
- Pour les propriétaires de véhicules GM existants, ouvrez une session dans votre compte My Brand → Allez à la « page d'accueil » → Sélectionnez « État de charge » et configurez le chargeur. Vous pouvez également accéder au menu « Plus » et sélectionner « chargeurs PowerUP » pour configurer la borne de charge Ultium PowerUP+.

R 05APR23					PART No. 85642869	SHEET
ALL INFORMATION WITHIN ABOVE BORDER TO BE PRINTED EXACTLY AS SHOWN ON 8.5 X 11 WHITE 16 POUND NON-BOND RECYCLABLE PAPER. PRINT ON BOTH SIDES EXCLUDING TEMPLATES. TO BE UNITED IN ACCORDANCE WITH GMCCA SPECIFICATIONS.	Date	Revision	Auth	DR	Title Ultium PowerUP+ Charge Station User Manual	PART No. SHEET
	31MAR23	First Rel	SAR	MB		
	05APR23	Second Rel	SAR	MB		
					PART No.	SHEET 34

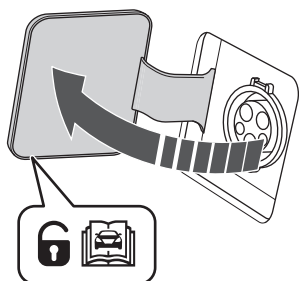
4. Pour les non-propriétaires de véhicules GM, installez l'application pour Ultium PowerUP en suivant les étapes ci-dessous :
 - Android – Sur l'appareil mobile intelligent, allez à « Play Store » → recherchez « Borne de charge pour VE Ultium de GM » → « Installer »
 - iOS – Sur l'appareil mobile intelligent, aller à « App Store » → rechercher « Ultium PowerUP » → « Obtenir » → « Installer »
 - Autres systèmes d'exploitation – Reportez-vous au manuel sur les appareils mobiles intelligents pour sélectionner correctement l'App Store et installer l'application pour la borne de charge pour VE Ultium de GM
 Pour enregistrer un compte et configurer la borne de charge Ultium PowerUP+, procédez comme suit :
 - Ouvrez l'application pour Ultium PowerUP → Créez un compte et ouvrez une session → Allez à la « page d'accueil » → Sélectionnez « Ajouter un nouveau chargeur » pour configurer la borne de charge pour Ultium PowerUP+.

5. Pour jumeler l'appareil mobile intelligent, la borne de charge Ultium PowerUP+ **ne doit pas** être connectée à un véhicule.
 Le mode de jumelage est toujours actif.
 Lorsqu'il est jumelé, l'appareil mobile intelligent peut être connecté à la borne de charge Ultium PowerUP+ à n'importe quel point d'utilisation.

6. Lors de la connexion d'un appareil mobile intelligent à la borne de charge Ultium PowerUP+, entrer le code de jumelage Bluetooth®.
 Les six derniers chiffres du code de jumelage Bluetooth® se trouvent à l'arrière de la borne de charge Ultium PowerUP+.
 Après le jumelage, toutes les fonctions de l'application My Brand de GM peuvent être utilisées.



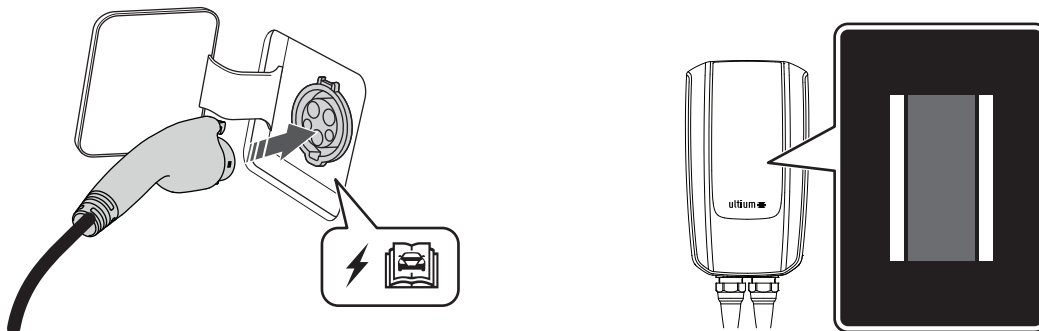
7. Pour charger, consulter le manuel du propriétaire du véhicule pour trouver l'emplacement de la prise de charge et la façon de raccorder correctement la borne de charge Ultium PowerUP+ au véhicule.
 Avant de raccorder la borne de charge Ultium PowerUP+ au véhicule, assurez-vous que l'alimentation et la tension électrique sont appropriées, conformément au manuel du propriétaire du véhicule.



R 05APR23					PART No. 85642869	SHEET
ALL INFORMATION WITHIN ABOVE BORDER TO BE PRINTED EXACTLY AS SHOWN ON 8.5 x 11 WHITE 16 POUND NON-BOND RECYCLABLE PAPER. PRINT ON BOTH SIDES EXCLUDING TEMPLATES. TO BE UNITED IN ACCORDANCE WITH GMCCA SPECIFICATIONS.	Date	Revision	Auth	DR	Title Ultium PowerUP+ Charge Station User Manual	PART No. SHEET 35
	31MAR23	First Rel	SAR	MB		
	05APR23	Second Rel	SAR	MB		

8. DÉROULER COMPLÈTEMENT LE CÂBLE DE CHARGE AVANT DE BRANCHER.

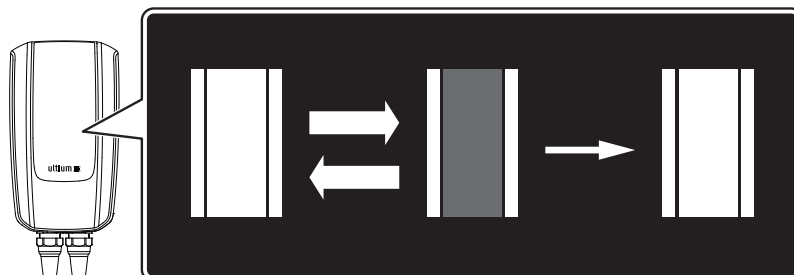
Lorsque le câble de charge est correctement branché à la prise de charge du véhicule, la ZONE 2 sur le panneau indicateur affiche une lumière fixe. La borne de charge Ultium PowerUP+ attendra qu'un appareil mobile intelligent autorise une session de recharge ou l'horaire de chargement préprogrammé pour commencer.


9. Pendant la charge :

- ZONE 1 → Clignotant
- ZONE 2 → Lumière constante

Lorsque la charge est terminée

- ZONE 1 → Lumière fixe
- ZONE 2 → Lumière constante


10. Lorsque le véhicule est complètement chargé :

- Sortir le câble de charge de la prise de charge du véhicule conformément au manuel du propriétaire du véhicule
- Enrouler le câble de charge sur le support mural de manière à ce qu'il ne touche pas le sol
- Remettre le câble de charge dans son support.


R 05APR23

PART No. 85642869

SHEET

ALL INFORMATION WITHIN ABOVE BORDER TO BE PRINTED EXACTLY AS SHOWN ON 8.5 x 11 WHITE 16

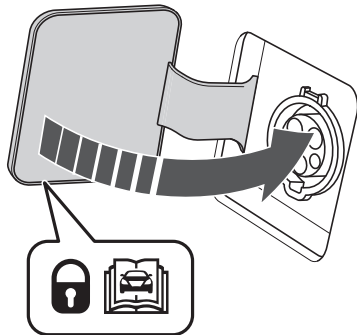
POUND NON-BOND RECYCLABLE PAPER. PRINT ON BOTH SIDES EXCLUDING TEMPLATES. TO BE

UNITED IN ACCORDANCE WITH GMCCA SPECIFICATIONS.

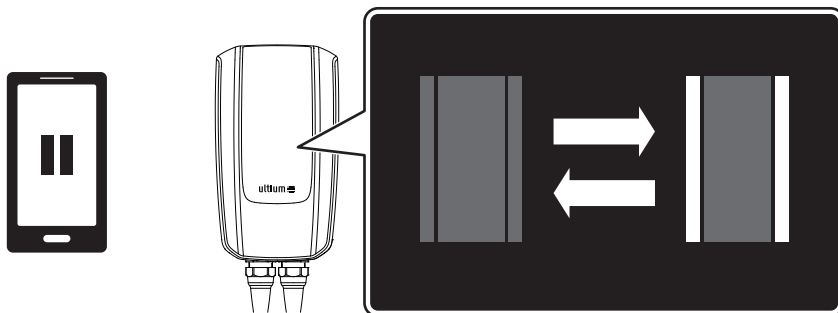
Date	Revision	Auth	DR
31MAR23	First Rel	SAR	MB
05APR23	Second Rel	SAR	MB

Title	PART No.	SHEET
Ultium PowerUP+ Charge Station User Manual	85642869	36

11. Après avoir débranché la borne de charge Ultium PowerUP+, insérer la prise de recharge conformément au manuel du propriétaire du véhicule.



- Le clignotant de ZONE 2 indique que la session de charge a été interrompue manuellement via l'application My Brand de GM. Pour obtenir de plus amples renseignements ou pour reprendre le charge, consulter l'application My Brand de GM.



R 05APR23

PART No. 85642869

SHEET

ALL INFORMATION WITHIN ABOVE BORDER TO BE PRINTED EXACTLY AS SHOWN ON 8.5 x 11 WHITE 16

POUND NON-BOND RECYCLABLE PAPER. PRINT ON BOTH SIDES EXCLUDING TEMPLATES. TO BE

UNITED IN ACCORDANCE WITH GMCCA SPECIFICATIONS.

Date	Revision	Auth	DR
31MAR23	First Rel	SAR	MB
05APR23	Second Rel	SAR	MB

Title	PART No.	SHEET
Ultium PowerUP+ Charge Station User Manual	85642869	37

6. INSTRUCTIONS DE MAINTENANCE ET DE STOCKAGE

- **⚠️AVERTISSEMENT** : NE PAS ouvrir la borne de charge Ultium PowerUP+; communiquer avec un électricien certifié.
- **⚠️AVERTISSEMENT** : Pour réduire le risque de DÉCHARGE ÉLECTRIQUE, débrancher la borne de charge Ultium PowerUP+ du disjoncteur avant d'essayer de procéder au nettoyage si possible.
- **⚠️MISE EN GARDE** : Pour nettoyer la borne de charge Ultium PowerUP+, y compris le dissipateur thermique, utiliser un chiffon sec si possible.
- **⚠️MISE EN GARDE** : La borne de charge Ultium PowerUP+ n'est pas conçue pour être câblée à répétition et désinstallée, ce qui pourrait endommager l'appareil.
- **⚠️MISE EN GARDE** : La borne de charge Ultium PowerUP+ est conçue pour être installée et demeurer câblée.
- **⚠️MISE EN GARDE** : Entreposer ou relocaliser une borne de charge Ultium PowerUP+; communiquer avec le service à la clientèle du fabricant ou un électricien certifié.

6.1 MISE AU REBUT

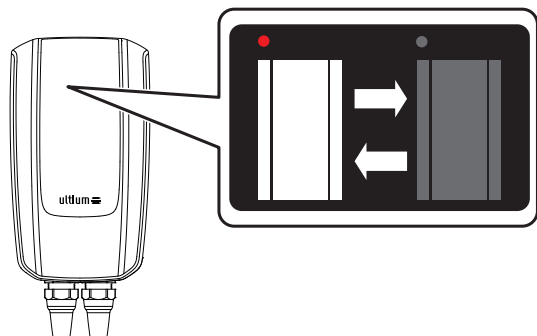
- **⚠️MISE EN GARDE** : NE PAS jeter le produit dans des poubelles ordinaires. Respecter scrupuleusement les réglementations locales concernant l'élimination et le recyclage des produits.

R 05APR23					PART No. 85642869		SHEET	
ALL INFORMATION WITHIN ABOVE BORDER TO BE PRINTED EXACTLY AS SHOWN ON 8.5 x 11 WHITE 16 POUND NON-BOND RECYCLABLE PAPER. PRINT ON BOTH SIDES EXCLUDING TEMPLATES. TO BE UNITED IN ACCORDANCE WITH GMCCA SPECIFICATIONS.	Date	Revision	Auth	DR	Title Ultium PowerUP+ Charge Station User Manual			
	31MAR23	First Rel	SAR	MB				
	05APR23	Second Rel	SAR	MB	PART No.		SHEET	
							38	

7. DÉPANNAGE

7.1 LOGICIEL

- Avant de mettre à jour le logiciel de la borne de charge Ultium PowerUP+, s'assurer qu'il y a une connexion Internet stable par Wi-Fi
- REMARQUE IMPORTANTE : Si la connexion Internet n'est pas stable, le processus de mise à jour logicielle peut prendre plus de temps que prévu
- L'état de la mise à jour logicielle peut être affiché sur l'application et par les indicateurs clignotants indiqués ci-dessous



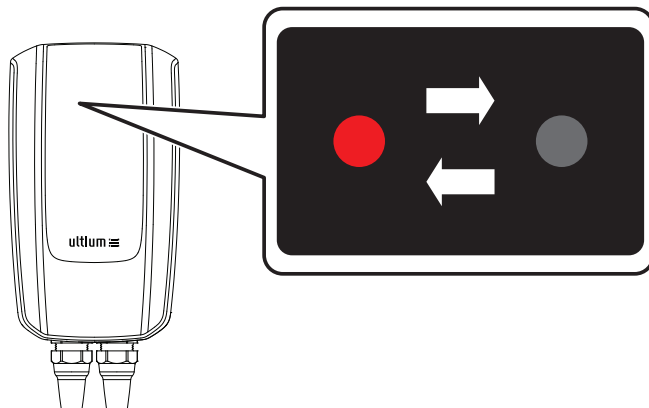
7.2 APPLICATION MOBILE

- S'il y a une interruption de courant, l'application mobile indiquera que la borne de charge Ultium PowerUP+ a arrêté la session de chargement en raison d'une erreur
- Si vous chargez un VE avec la borne de charge Ultium PowerUP+ et qu'il y a une panne de courant, la session de charge s'arrêtera
Lorsque l'alimentation est rétablie, la session de charge peut continuer
- Les pannes de courant n'auront aucune incidence sur l'horaire de charge de l'application mobile
- L'application affichera les renseignements liés aux erreurs et aux mesures suggérées
- Lors de l'utilisation de l'application mobile, s'assurer que Bluetooth® est activé sur le téléphone intelligent et qu'il se trouve dans la plage Bluetooth® de l'appareil

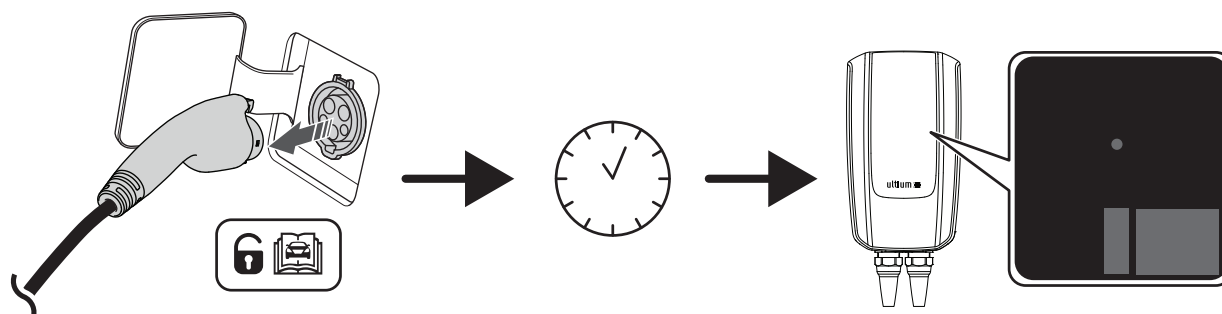
R 05APR23					PART No. 85642869		SHEET	
ALL INFORMATION WITHIN ABOVE BORDER TO BE PRINTED EXACTLY AS SHOWN ON 8.5 X 11 WHITE 16 POUND NON-BOND RECYCLABLE PAPER. PRINT ON BOTH SIDES EXCLUDING TEMPLATES. TO BE UNITED IN ACCORDANCE WITH GMCCA SPECIFICATIONS.	Date	Revision	Auth	DR	Title Ultium PowerUP+ Charge Station User Manual			
	31MAR23	First Rel	SAR	MB				
	05APR23	Second Rel	SAR	MB	PART No.		SHEET	
							39	

7.3 ERREUR RÉINITIALISABLE MANUELLEMENT

1. Si la ZONE 3 indique un voyant clignotant, comme illustré ci-dessous, cela signifie qu'une erreur réinitialisable s'est produite.



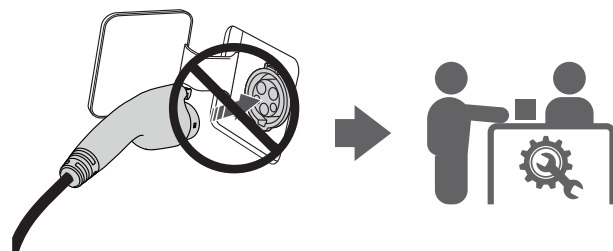
2.
 - Retirer le bouchon de charge de la prise du véhicule
 - Attendre que le voyant ZONE 3 cesse de clignoter
 - Rebrancher le câble de charge à la prise du véhicule



3. Si l'erreur persiste après un maximum de 3 tentatives → vérifier s'il y a des erreurs de surchauffe dans l'application mobile → permettre à la borne de charge Ultium PowerUP+ de se refroidir.

Si l'erreur est toujours présente, contacter le concessionnaire du fabricant ou le point de vente (consulter la section ASSISTANCE pour plus d'informations).

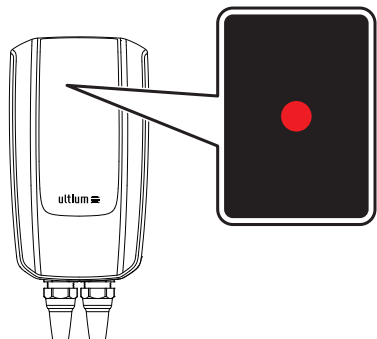
⚠ MISE EN GARDE : NE PAS tenter de raccorder la borne de charge Ultium PowerUP+ au véhicule.



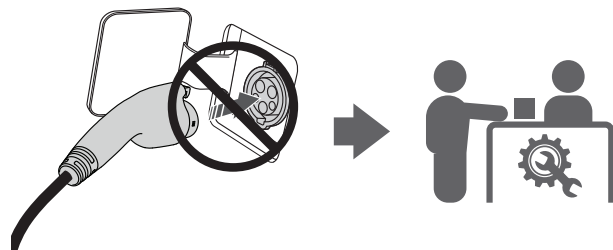
R 05APR23					PART No. 85642869	SHEET
ALL INFORMATION WITHIN ABOVE BORDER TO BE PRINTED EXACTLY AS SHOWN ON 8.5 x 11 WHITE 16 POUND NON-BOND RECYCLABLE PAPER. PRINT ON BOTH SIDES EXCLUDING TEMPLATES. TO BE UNITED IN ACCORDANCE WITH GMCCA SPECIFICATIONS.	Date	Revision	Auth	DR	Title Ultium PowerUP+ Charge Station User Manual	PART No. SHEET 40
	31MAR23	First Rel	SAR	MB		
	05APR23	Second Rel	SAR	MB		

7.4 ERREUR DANGEREUSE

1. Si la ZONE 3 est indiquée comme montré ci-dessous, cela signifie que l'unité doit être réparée ou remplacée.



- 2. • **AVERTISSEMENT** : ASSUREZ-VOUS que la station de charge Ultium PowerUP se trouve dans les limites de température de fonctionnement suivantes : -22 °F à +122 °F (-30 °C à +50 °C)
- **AVERTISSEMENT** : Dans la mesure du possible et en toute sécurité, régler soigneusement le disjoncteur de la borne de charge Ultium PowerUP+ à la position « d'arrêt » de l'alimentation secteur
- **AVERTISSEMENT** : NE PAS tenter de raccorder la borne de charge Ultium PowerUP+ au véhicule.
- **AVERTISSEMENT** : Si la borne de charge Ultium PowerUP+ Plus est connectée à un véhicule, NE PAS tenter de débrancher le véhicule ou de toucher l'équipement ou le véhicule
- **AVERTISSEMENT** : Communiquer avec le concessionnaire GM ou le point de vente (se reporter à la section ASSISTANCE ou à d'autres informations).
- **AVERTISSEMENT** : Aviser le propriétaire et/ou les opérateurs de la borne de charge Ultium PowerUP+.



R 05APR23					PART No. 85642869	SHEET
ALL INFORMATION WITHIN ABOVE BORDER TO BE PRINTED EXACTLY AS SHOWN ON 8.5 x 11 WHITE 16 POUND NON-BOND RECYCLABLE PAPER. PRINT ON BOTH SIDES EXCLUDING TEMPLATES. TO BE UNITED IN ACCORDANCE WITH GMCCA SPECIFICATIONS.	Date	Revision	Auth	DR	Title Ultium PowerUP+ Charge Station User Manual	PART No. SHEET 41
	31MAR23	First Rel	SAR	MB		
	05APR23	Second Rel	SAR	MB		

8. DONNÉES TECHNIQUES

Numéro de modèle	3005
Méthode de recharge	CA Niveau 2
Connecteur du véhicule	Type 1
Installation	Câblée 208/240 VCA, circuit dédié 100 A
Nombre de phases	Phase unique fractionnée
Tension de charge	208 / 240 VAC
Courant de recharge	80 A
Fréquence cotée, fn	50-60 Hz
Puissance de recharge	19,2 kW
Humidité	0-95 %
Altitude max.	1 483 pi (3 500 m)
Refroidissement	Dissipateur thermique, convection naturelle
Compteur énergétique	Oui, interne
Positionnement	Plaque de fixation, support mural
Dimension des compartiments	6 x 9,8 x 17,2 po (152,4 x 249 x 436,9 mm)
Matériau du boîtier	Plastique, métal
Couleur du boîtier	Blanc/Noir
Degré de protection	Étanche à l'eau, type 4X
Longueur du câble de charge	25 pi (7,5 m)
Poids net (unité avec câbles)	Environ 14,9 kg (33 lb)
Poids net (étui)	Environ 0,8 kg (1,7 lb)
Poids de l'emballage	Environ 18,1 kg (40 lb)
Taille d'emballage (LxH)	30,7 x 13,8 x 7,3 po (780 x 350,5 x 185,4 mm)
Interface utilisateur	Interface à DEL
Connectivité	Technologie sans fil Bluetooth®, Wi-Fi
Protocole de communication	OCPP 1,6
Assistance pour l'application	Écran du téléphone intelligent, application du fabricant pour Android et iOS
Température de fonctionnement ambiante et température de stockage	-22 °F à +122 °F (-30 °C à +50 °C)

9. PROTECTION CONTRE LA SURINTENSITÉ ET LES COURT-CIRCUITS

Courant nominal, en	80 A
Détection des défauts de mise à la terre	Intégré, pas de besoin supplémentaire (CCID20)
RCD	Réinitialisation manuelle

R 05APR23					PART No. 85642869		SHEET	
ALL INFORMATION WITHIN ABOVE BORDER TO BE PRINTED EXACTLY AS SHOWN ON 8.5 x 11 WHITE 16 POUND NON-BOND RECYCLABLE PAPER. PRINT ON BOTH SIDES EXCLUDING TEMPLATES. TO BE UNITED IN ACCORDANCE WITH GMCCA SPECIFICATIONS.	Date	Revision	Auth	DR	Title Ultium PowerUP+ Charge Station User Manual			
	31MAR23	First Rel	SAR	MB				
	05APR23	Second Rel	SAR	MB	PART No.		SHEET	
							42	

10. BLUETOOTH®

Les marques nominatives et les logos Bluetooth® sont des marques déposées appartenant à Bluetooth SIG, Inc. et toute utilisation de telles marques par GM est sous licence. Les autres marques de commerce et noms commerciaux sont ceux de leur propriétaire respectif.

11. SOUTIENS

Pour obtenir du soutien, une FAQ, le dernier manuel révisé et plus de renseignements sur les produits GM, consultez le site Web de GM ou communiquez avec GM.

	Concierge Chevrolet/ Buick/GMC électrique	Concierge Cadillac électrique	Concierge de Hummer électrique
ÉTATS-UNIS*	1 833 382-4389	1 844 382-2345	1 833 486-6373
CANADA**	1 833 382-4389	1 844 382-2345	1 833 486-6373

* Heures d'ouverture : Lundi au vendredi, de 8 h à 12 h (HE); samedi et dimanche, de 12 h à 21 h (HE)

** Heures d'ouverture : Lundi au vendredi, de 8 h à 21 h (HE); samedi, de 8 h à 17 h (HE), fermé le dimanche

12. CONFORMITÉ

- Homologué ENERGY STAR® en savoir plus sur energystar.gov
- UL 2594
- UL 2231-1
- UL 2231-2
- CSA C22.2 No.280-16
- CSA C22.2 No.281-1
- CSA C22.2 No.281-2

13. DÉCLARATION DE LA FCC

Énoncé d'exposition au rayonnement FCC Cet équipement est conforme aux limites d'exposition au rayonnement FCC établies pour un environnement non contrôlé. Cet équipement doit être installé et utilisé avec une distance minimale de 20 cm entre le radiateur et votre corps.

Ce dispositif est conforme à la partie 15 des règles de la FCC. L'exploitation est assujettie aux deux conditions suivantes : (1) Ce dispositif ne peut pas causer d'interférences dangereuses et (2) ce dispositif doit accepter toute interférence reçue, y compris les interférences susceptibles de provoquer un fonctionnement indésirable.

REMARQUE : Cet équipement a été testé et jugé conforme aux limites d'un dispositif numérique de classe B, conformément à la partie 15 des Règles de la FCC. Ces limites sont conçues pour offrir une protection raisonnable contre les interférences nuisibles dans une installation résidentielle. Cet équipement génère, utilise et peut émettre de l'énergie de radiofréquences et, s'il n'est pas installé et utilisé conformément aux instructions, peut causer des interférences nuisibles aux communications radio. Cependant, rien ne garantit que des interférences ne se produiront pas dans une installation particulière. Si cet équipement cause des interférences nuisibles à la réception radio ou télévisuelle, ce qui peut être déterminé en éteignant et en allumant l'équipement, l'utilisateur est encouragé à tenter de corriger les interférences par l'une ou plusieurs des mesures suivantes :

- Réorienter ou déplacer l'antenne de réception.
- Augmenter la séparation entre l'équipement et le récepteur.
- Connecter l'équipement à une prise sur un circuit différent de celui auquel le récepteur est connecté.
- Consulter le concessionnaire ou un technicien spécialisé radio/TV pour obtenir de l'aide.

R 05APR23					PART No. 85642869		SHEET	
ALL INFORMATION WITHIN ABOVE BORDER TO BE PRINTED EXACTLY AS SHOWN ON 8.5 X 11 WHITE 16 POUND NON-BOND RECYCLABLE PAPER. PRINT ON BOTH SIDES, EXCLUDING TEMPLATES. TO BE UNITED IN ACCORDANCE WITH GMCCA SPECIFICATIONS.	Date	Revision	Auth	DR	Title Ultium PowerUP+ Charge Station User Manual			
	31MAR23	First Rel	SAR	MB				
	05APR23	Second Rel	SAR	MB	PART No.	SHEET 43		

14. RESPONSABLE FCC

Ce dispositif est conforme à la partie 2.1077(a)(3) de la règle de la FCC

NOM	Bobbie DuMelle
POSTE	Vice-président exécutif - Marché secondaire
ADRESSE	CTEK INC. 5521 N. CUMBERLAND AVE SUITE 1104 CHICAGO IL 60656 USA
CONTACTEZ-NOUS	TÉL. : +1 (312) 967 1430 COURRIEL : bobbie.dumelle@ctek.com

15. ÉNONCÉ DE CONFORMITÉ ISED

Cet équipement est conforme aux limites d'exposition au rayonnement d'ISDE établies pour un environnement non contrôlé. Cet équipement doit être installé et utilisé avec plus de 20 cm entre le radiateur et votre corps.

Ce dispositif est conforme aux RSS exemptés de licence d'Industrie Canada. L'exploitation est assujettie aux deux conditions suivantes : (1) Ce dispositif ne peut pas causer d'interférences dangereuses et (2) ce dispositif doit accepter toute interférence reçue, y compris les interférences susceptibles de provoquer un fonctionnement indésirable.

Ce dispositif est conforme à : CAN ICES-003 (B)/NMB-003(B).

16. RESTRICTIONS NATIONALES D'UTILISATION

Certains pays ou États ou certaines provinces ont d'autres codes et normes en matière d'électricité que ceux qui sont énoncés dans le présent manuel. L'installation et l'utilisation du produit doivent respecter les réglementations locales. Le produit est destiné à être utilisé par le grand public. Le produit est destiné à des emplacements à accès restreint et sans restriction.

R 05APR23					PART No. 85642869		SHEET	
ALL INFORMATION WITHIN ABOVE BORDER TO BE PRINTED EXACTLY AS SHOWN ON 8.5 x 11 WHITE 16 POUND NON-BOND RECYCLABLE PAPER. PRINT ON BOTH SIDES EXCLUDING TEMPLATES. TO BE UNITED IN ACCORDANCE WITH GMCCA SPECIFICATIONS.	Date	Revision	Auth	DR	Title Ultium PowerUP+ Charge Station User Manual			
	31MAR23	First Rel	SAR	MB				
	05APR23	Second Rel	SAR	MB	PART No.		SHEET	
							44	

17. GARANTIE LIMITÉE

General Motors émet cette garantie limitée à l'acheteur initial de ce produit. Celle-ci est non transférable. La garantie s'applique aux défauts de fabrication et aux défauts matériels. Le client doit retourner le produit pour inspection avec le reçu de l'achat à un concessionnaire GM. GM réparera ou remplacera la pièce, à sa seule discrétion et sans frais, si la pièce est défectueuse en raison d'un défaut de matériel ou de fabrication pendant la période de garantie.

PRODUIT	PÉRIODE DE GARANTIE
Borne de charge Ultium PowerUP+	3 ans ¹

Cette garantie ne couvre pas :

- Dommage ou défaut dû à la négligence, à l'altération, à l'accident, à l'abus, à une installation inappropriée ou à une utilisation à une fin pour laquelle le produit n'est pas conçu ou approuvé par GM
- Perte de temps, inconvéniént, perte d'utilisation du véhicule ou autres dommages consécutifs
- Coût de main-d'œuvre pour le diagnostic, le retrait ou l'installation électrique
- Produits utilisés pour les véhicules immatriculés et normalement exploités à l'extérieur des États-Unis ou du Canada

Autres termes :

Toute garantie implicite de qualité marchande ou d'adaptation à une fin particulière applicable à ces pièces est limitée à la durée de la présente garantie écrite. Le recours prévu ci-dessus est le recours exclusif en vertu de la présente garantie écrite ou de toute garantie implicite. Certains États n'autorisent aucune limitation de la durée d'une garantie implicite ou l'exclusion ou la limitation de dommages accessoires ou consécutifs; par conséquent, les limitations ou exclusions ci-dessus peuvent ne pas s'appliquer à vous. Cette garantie fournit des droits juridiques précis; vous pouvez également avoir d'autres droits, selon l'État ou la province où vous résidez.

¹ Les remplacements subséquents en vertu de la garantie recevront le solde de la période de garantie initiale.

R 05APR23					PART No. 85642869	SHEET
ALL INFORMATION WITHIN ABOVE BORDER TO BE PRINTED EXACTLY AS SHOWN ON 8.5 x 11 WHITE 16 POUND NON-BOND RECYCLABLE PAPER. PRINT ON BOTH SIDES EXCLUDING TEMPLATES. TO BE UNITED IN ACCORDANCE WITH GMCCA SPECIFICATIONS.	Date	Revision	Auth	DR	Title Ultium PowerUP+ Charge Station User Manual	PART No. SHEET 45
	31MAR23	First Rel	SAR	MB		
	05APR23	Second Rel	SAR	MB		

CONTENTS

1. INSTRUCCIÓN DE SEGURIDAD IMPORTANTE	3
2. GENERAL	3
2.1 CARACTERÍSTICAS DE LA ESTACIÓN ESTÁNDAR	4
2.2 FUNCIONES CONECTADAS	4
2.3 APLICACIÓN MÓVIL	4
2.4 INCLUIDO EN LA CAJA	5
2.5 INCLUIDO EN LA CAJA DE ACCESORIOS	5
2.6 DESCRIPCIÓN GENERAL DEL EQUIPO	5
3. INSTRUCCIONES DE INSTALACIÓN	6
3.1 INSTRUCCIONES PARA EL MONTAJE EN LA PARED	7
3.1.1 MONTAJE DE LA ESTACIÓN DE CARGA ULTIUM POWERUP+	7
3.1.2 MONTAJE DEL SOPORTE DE PARED PARA EL CABLE	8
3.2 INSTALACIÓN DE CABLEADO	9
4. RESUMEN DE INDICADORES	11
5. INSTRUCCIONES DE FUNCIONAMIENTO	12
6. INSTRUCCIONES DE MANTENIMIENTO Y ALMACENAMIENTO	16
6.1 DESECHO	16
7. RESOLUCIÓN DE PROBLEMAS	17
7.1 SOFTWARE	17
7.2 APLICACIÓN MÓVIL	17
7.3 ERROR QUE PUEDE RESTABLECERSE MANUALMENTE	18
7.4 ERROR PELIGROSO	19
8. DATOS TÉCNICOS	20
9. PROTECCIÓN CONTRA SOBRECORRIENTE Y CORTOCIRCUITO	20
10. BLUETOOTH®	21
11. SOPORTE	21
12. CUMPLIMIENTO	21
13. DECLARACIÓN DE LA FCC	21
14. RESPONSABLE DE FCC	22
15. DECLARACIÓN DE CUMPLIMIENTO DE ISED	22
16. RESTRICCIONES DE USO NACIONALES	22
17. GARANTÍA LIMITADA	23

PARA SER COMPLETADO POR EL INSTALADOR ELÉCTRICO PARA REFERENCIA DEL CLIENTE

NÚMERO DE SERIE:

CÓDIGO DE EMPAREJAMIENTO BLUETOOTH:

TAMAÑO DEL DISYUNTOR:

CONFIGURACIÓN DE CORRIENTE RECOMENDADA:

R 05APR23					PART No. 85642869	SHEET
ALL INFORMATION WITHIN ABOVE BORDER TO BE PRINTED EXACTLY AS SHOWN ON 8.5 x 11 WHITE 16 POUND NON-BOND RECYCLABLE PAPER. PRINT ON BOTH SIDES, EXCLUDING TEMPLATES, TO BE UNITED IN ACCORDANCE WITH GMCCA SPECIFICATIONS.	Date	Revision	Auth	DR	Title Ultium PowerUP+ Charge Station User Manual	PART No. SHEET 46
	31MAR23	First Rel	SAR	MB		
	05APR23	Second Rel	SAR	MB		

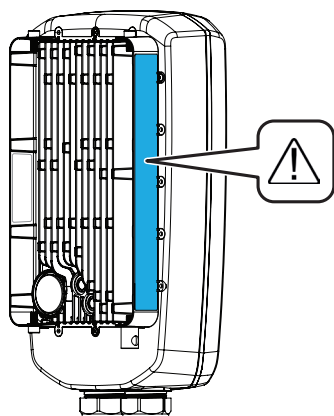
1. INSTRUCCIÓN DE SEGURIDAD IMPORTANTE

⚠️ ADVERTENCIA: Utilice la estación de carga Ultium PowerUP+ de acuerdo con las instrucciones de GM y de la empresa, tal y como se detalla en los manuales de usuario suministrados, para evitar RIESGOS DE INCENDIO, DESCARGAS ELÉCTRICAS o lesiones a las personas.

⚠️ ADVERTENCIA: La instalación de la estación de carga Ultium PowerUP+ debe ser realizada ÚNICAMENTE por un electricista calificado.

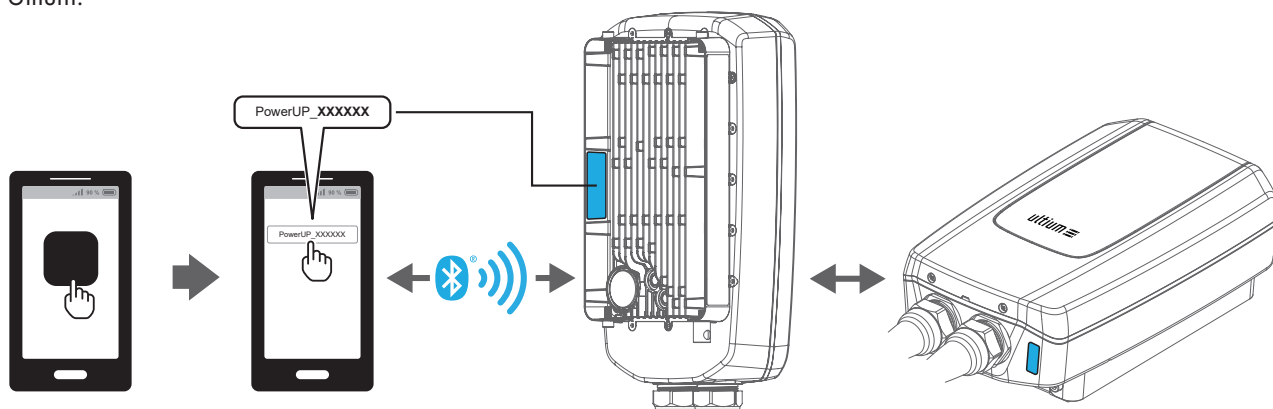
⚠️ ADVERTENCIA: Lea y comprenda el 'Manual de seguridad de la estación de carga Ultium PowerUP+' suministrado. Si no está seguro acerca de algún aspecto de la instalación, consulte a un electricista calificado.

⚠️ ADVERTENCIA: Lea y comprenda la etiqueta de información de seguridad instalada antes de intentar instalar u operar la estación de carga Ultium PowerUP+. NO intente quitar la etiqueta de información de seguridad que se puede ubicar en la posición que se muestra a continuación.



2. GENERAL

- Esta estación de carga Ultium PowerUP+ está diseñada para cargar vehículos eléctricos (VE) únicamente. Consulte el manual del propietario del vehículo para obtener más información.
- Recuerde guardar el código de emparejamiento de Bluetooth®, esto es necesario para conectar la unidad a la aplicación móvil. Los últimos seis números del código de emparejamiento de Bluetooth® se pueden encontrar en la parte posterior e inferior de la estación de carga Ultium PowerUP+.
- NOTA: A menos que se empareje a través de Bluetooth®, la estación de carga Ultium PowerUP+ SÓLO funcionará a 6 amperios. El amperaje operativo se puede cambiar a través de la aplicación GM MyBrand/ Ultium.



R 05APR23					PART No. 85642869	SHEET
ALL INFORMATION WITHIN ABOVE BORDER TO BE PRINTED EXACTLY AS SHOWN ON 8.5 x 11 WHITE 16 POUND NON-BOND RECYCLABLE PAPER. PRINT ON BOTH SIDES EXCLUDING TEMPLATES. TO BE UNITED IN ACCORDANCE WITH GMCCA SPECIFICATIONS.	Date	Revision	Auth	DR	Title Ultium PowerUP+ Charge Station User Manual PART No. SHEET 47	
	31MAR23	First Rel	SAR	MB		
	05APR23	Second Rel	SAR	MB		

2.1 CARACTERÍSTICAS DE LA ESTACIÓN ESTÁNDAR

Potencia de carga máx.	Cableado: 19,2 kW
Longitud del cable de carga	25 pies (7,5 m)
Supply	Circuito dedicado cableado de 208/240 VCA, 100 A
Amperios operativos máx.	80 A
Amperios del disyuntor	100 A
Certificación Energy Star	Sí
Equilibrio de carga estática	Sí (∞)

2.2 FUNCIONES CONECTADAS

Ethernet	No
Wifi habilitado	Sí
Aplicación móvil (fabricante)	Sí
Bluetooth®	Sí (alcance aproximado de 33 pies (10 m))
OCPP 1.6	Sí
Actualización de firmware inalámbrica	Sí
Servicio de asistencia	Sí

2.3 APLICACIÓN MÓVIL

GM tiene una variedad de aplicaciones móviles que se pueden usar con la estación de carga Ultium PowerUP+, que incluyen:



myBuick



myCadillac



myChevrolet



myGMC



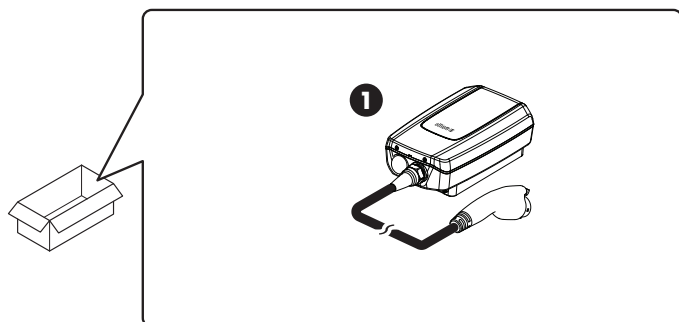
Ultium PowerUP

Use la aplicación de marca adecuada asociada con su vehículo para obtener la funcionalidad completa de la aplicación, incluida la conectividad wifi. En caso de que no tenga un vehículo GM pero use una estación de carga Ultium PowerUP+, siga la aplicación Ultium PowerUP.

NOTA: La aplicación de vehículos GM se denominará "My Brand App" en esta documentación del usuario.

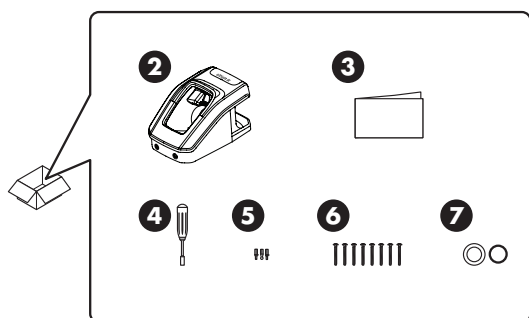
R 05APR23					PART No. 85642869	SHEET
ALL INFORMATION WITHIN ABOVE BORDER TO BE PRINTED EXACTLY AS SHOWN ON 8.5 X 11 WHITE 16 POUND NON-BOND RECYCLABLE PAPER. PRINT ON BOTH SIDES EXCLUDING TEMPLATES. TO BE UNITED IN ACCORDANCE WITH GMCCA SPECIFICATIONS.	Date	Revision	Auth	DR	Title Ultium PowerUP+ Charge Station User Manual	PART No. SHEET 48
	31MAR23	First Rel	SAR	MB		
	05APR23	Second Rel	SAR	MB		

2.4 INCLUIDO EN LA CAJA



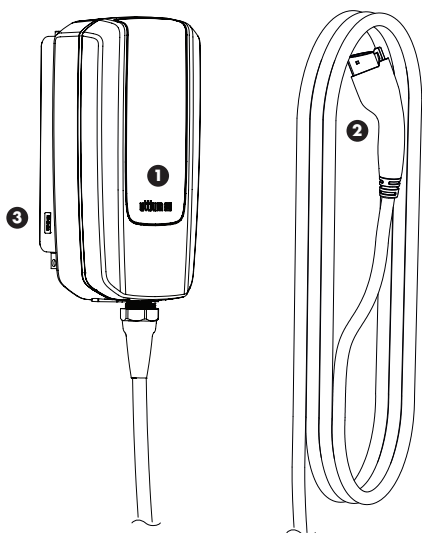
1. Estación de carga Ultium PowerUP+

2.5 INCLUIDO EN LA CAJA DE ACCESORIOS



2. Montaje en pared para cables
3. Manual de usuario/Manual de seguridad/
Plantilla de perforación
4. Destornillador de puntas múltiples
5. 3 puntas de destornillador
6. 8 tornillos
7. Adaptador de junta tórica y conducto

2.6 DESCRIPCIÓN GENERAL DEL EQUIPO



1. Estación de carga Ultium PowerUP+ con panel indicador
2. Conector tipo 1 para VE
3. Soporte de pared para estación de carga

R 05APR23

PART No. 85642869

SHEET

ALL INFORMATION WITHIN ABOVE BORDER TO BE PRINTED EXACTLY AS SHOWN ON 8.5 x 11 WHITE 16

POUND NON-BOND RECYCLABLE PAPER. PRINT ON BOTH SIDES EXCLUDING TEMPLATES. TO BE

UNITED IN ACCORDANCE WITH GMCCA SPECIFICATIONS.

Date	Revision	Auth	DR	Title	
31MAR23	First Rel	SAR	MB	Ultium PowerUP+ Charge Station User Manual	
05APR23	Second Rel	SAR	MB		
PART No.				SHEET	49

3. INSTRUCCIONES DE INSTALACIÓN

INFORMACIÓN DE SEGURIDAD IMPORTANTE:

- **⚠️ ADVERTENCIA:** Al instalar la estación de carga Ultium PowerUP+, tenga en cuenta la ubicación del puerto de carga del vehículo para que el cable de carga pueda llegar. Monte el cable de montaje en pared cerca del puerto de carga para facilitar su uso.
- **⚠️ ADVERTENCIA:** Para equipos de más de 60 amperios o más de 150 voltios a tierra, los medios de desconexión deben instalarse en un lugar de fácil acceso. Los medios de desconexión deben poder bloquearse de conformidad con NFPA 70, 110.25.
- **⚠️ PRECAUCIÓN:** La ubicación de la estación de carga Ultium PowerUP+ debe ser segura y adecuada para evitar cualquier peligro.
- **⚠️ PRECAUCIÓN:** Este dispositivo debe montarse a una altura suficiente del suelo de modo que la altura de los medios de almacenamiento para el dispositivo de acoplamiento se encuentre entre 24 pulgadas (600 mm) y 4 pies (1,2 m) del suelo.
NOTA: Para uso en interiores, 24 pulgadas (600 mm) se pueden cambiar a 18 pulgadas (460 mm).
- **⚠️ PRECAUCIÓN:** Este dispositivo requiere una instalación de cableado y debe ser realizado SOLAMENTE por un electricista certificado.
- **⚠️ PRECAUCIÓN:** Si la estación de carga Ultium PowerUP+ se daña durante la instalación, detenga la instalación y comuníquese con la empresa (consulte la sección SOPORTE o más información).
- **⚠️ PRECAUCIÓN:** Asegúrese de que la instalación de la unidad cumpla con las normas, permisos y leyes locales obligatorios.
- **⚠️ PRECAUCIÓN:** Asegúrese de tener la aprobación del dueño de la propiedad o la asociación de condominios para la instalación.
- **⚠️ PRECAUCIÓN:** Asegúrese de que se utilicen sujetadores de acero inoxidable para todas las instalaciones de montaje.

R 05APR23					PART No. 85642869		SHEET	
ALL INFORMATION WITHIN ABOVE BORDER TO BE PRINTED EXACTLY AS SHOWN ON 8.5 x 11 WHITE 16 POUND NON-BOND RECYCLABLE PAPER. PRINT ON BOTH SIDES EXCLUDING TEMPLATES. TO BE UNITED IN ACCORDANCE WITH GMCCA SPECIFICATIONS.	Date	Revision	Auth	DR	Title Ultium PowerUP+ Charge Station User Manual			
	31MAR23	First Rel	SAR	MB				
	05APR23	Second Rel	SAR	MB	PART No.		SHEET	
							50	

3.1 INSTRUCCIONES PARA EL MONTAJE EN LA PARED

Los tornillos incluidos son para mayor comodidad y solo se pueden usar en superficies de madera. También se pueden usar sobre concreto si se usan con anclajes para muros de concreto.

INFORMACIÓN DE SEGURIDAD IMPORTANTE:

⚠PRECAUCIÓN: Asegúrese de elegir una superficie que sea adecuada para el peso de la estación de carga Ultium PowerUP+ y de que se utilicen los tornillos correctos para la superficie prevista y de que la unidad esté montada de forma segura en la pared antes de usar la unidad. Si no está seguro de qué superficie es adecuada o qué tornillos son adecuados para la aplicación, comuníquese con un especialista para obtener asesoramiento.

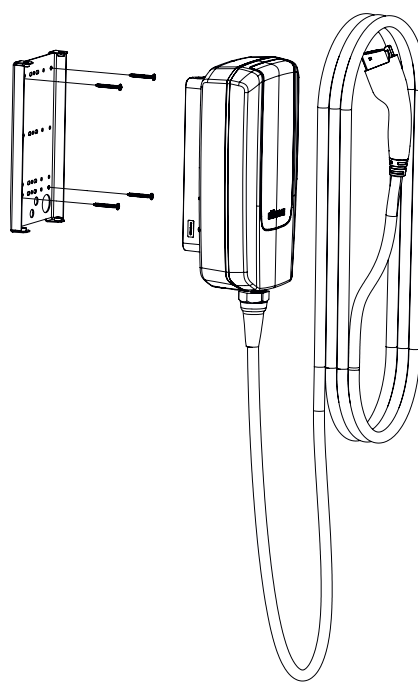
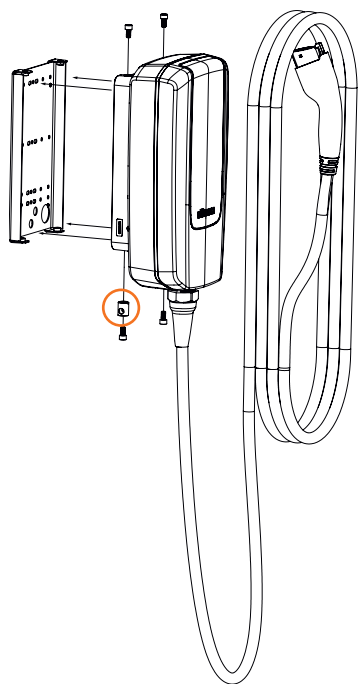
Este dispositivo debe montarse a una altura suficiente del suelo de modo que la altura de los medios de almacenamiento para el dispositivo de acoplamiento se encuentre entre 24 pulgadas (600 mm) y 4 pies (1,2 m) del suelo.

NOTA: Para uso en interiores, 24 pulgadas (600 mm) se pueden cambiar a 18 pulgadas (460 mm).

Se recomienda instalar un candado para evitar robos. Candado no incluido.

3.1.1 MONTAJE DE LA ESTACIÓN DE CARGA ULTIUM POWERUP+

1. Desatornille los cuatro tornillos, incluida la tuerca de seguridad (resaltada) para acceder al soporte de pared de la estación de carga, conserve los tornillos (consulte el paso 3).
2. Monte el soporte de pared de la estación de carga en la superficie prevista, utilizando los tornillos proporcionados (cuando corresponda).
Nota: Se proporciona una plantilla de perforación para ayudar en la instalación.



R 05APR23

PART No. 85642869

SHEET

ALL INFORMATION WITHIN ABOVE BORDER TO BE PRINTED EXACTLY AS SHOWN ON 8.5 x 11 WHITE 16

POUND NON-BOND RECYCLABLE PAPER. PRINT ON BOTH SIDES EXCLUDING TEMPLATES. TO BE

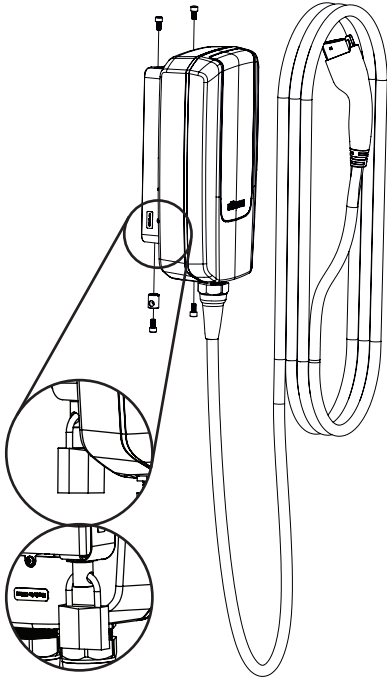
UNITED IN ACCORDANCE WITH GMCCA SPECIFICATIONS.

Date	Revision	Auth	DR
31MAR23	First Rel	SAR	MB
05APR23	Second Rel	SAR	MB

Title	PART No.	SHEET
Ultium PowerUP+ Charge Station User Manual	85642869	51

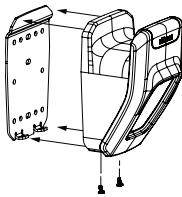
3. Vuelva a colocar la estación de carga Ultium PowerUP+ en el soporte de pared con los tornillos que retiró anteriormente en el paso 1.

Si se ha comprado un candado, asegure la unidad bloqueando el candado en la tuerca de seguridad.



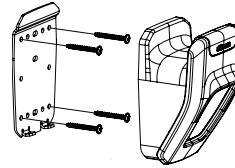
3.1.2 MONTAJE DEL SOPORTE DE PARED PARA EL CABLE

1. Desatornille los dos tornillos en la parte inferior para acceder a la placa de montaje, guarde los tornillos.

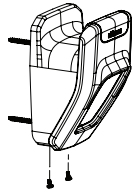


2. Monte el mounting bracket en la superficie prevista, utilizando los tornillos proporcionados (cuando corresponda).

Nota: Se proporciona una plantilla de perforación para ayudar en la instalación.



3. Vuelva a colocar el soporte de montaje en pared en el mounting bracket con los tornillos que retiró anteriormente (consulte el paso 1).



R 05APR23

PART No. 85642869

SHEET

ALL INFORMATION WITHIN ABOVE BORDER TO BE PRINTED EXACTLY AS SHOWN ON 8.5 x 11 WHITE 16

POUND NON-BOND RECYCLABLE PAPER. PRINT ON BOTH SIDES EXCLUDING TEMPLATES. TO BE

UNITED IN ACCORDANCE WITH GMCCA SPECIFICATIONS.

Date	Revision	Auth	DR
31MAR23	First Rel	SAR	MB
05APR23	Second Rel	SAR	MB

Title Ultium PowerUP+ Charge Station User Manual

PART No.

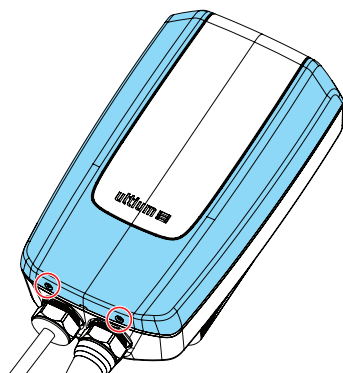
SHEET

3.2 INSTALACIÓN DE CABLEADO

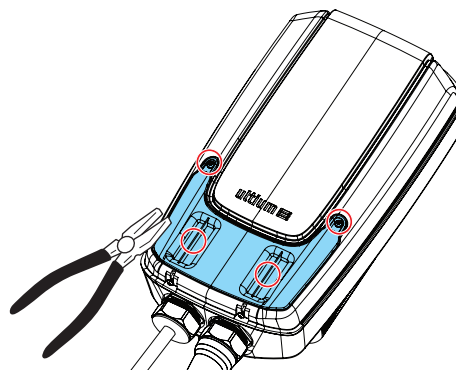
⚠️ ADVERTENCIA: IMPORTANTE: la instalación de cableado debe ser realizada ÚNICAMENTE por electricistas certificados.
⚠️ PRECAUCIÓN: Utilice cable de cobre de 3 AWG, 90 °C para L1, L2 y cable de cobre de 8 AWG 90 °C para tierra para la instalación del cableado de campo.

Se requiere una instalación de cableado para cablear permanentemente la estación de carga Ultium PowerUP+ al suministro de entrada principal.

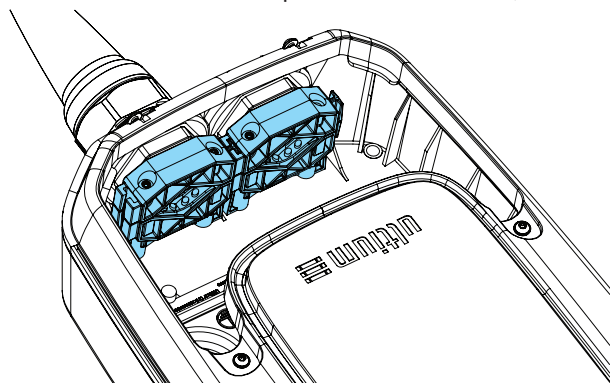
1. Retire los dos tornillos ubicados en el extremo de la cubierta frontal (guarde los tornillos para volver a ensamblar) → Retire la cubierta frontal.



2. Retire los dos tornillos de la tapa de servicio (guarde los tornillos para volver a armar) → Retire la tapa de servicio con unos alicates y tire de las lengüetas como se muestra.

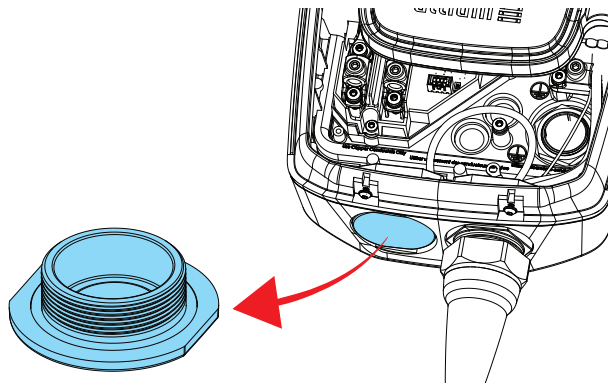


3. Retire los cuatro tornillos y las arandelas que sujetan la abrazadera del cable → Retire la abrazadera del cable (guarde los tornillos, las arandelas y la abrazadera del cable para volver a montar).



NOTA: Es posible que se hayan quitado componentes para mayor claridad de la imagen.

4. Retire el tapón ciego de la abertura para la instalación de cableado aflojando la tuerca de seguridad.



NOTA: Es posible que se hayan quitado componentes para mayor claridad de la imagen.

R 05APR23

PART No. 85642869

SHEET

ALL INFORMATION WITHIN ABOVE BORDER TO BE PRINTED EXACTLY AS SHOWN ON 8.5 x 11 WHITE 16

POUND NON-BOND RECYCLABLE PAPER. PRINT ON BOTH SIDES EXCLUDING TEMPLATES. TO BE

UNITED IN ACCORDANCE WITH GMCCA SPECIFICATIONS.

Date	Revision	Auth	DR
31MAR23	First Rel	SAR	MB
05APR23	Second Rel	SAR	MB

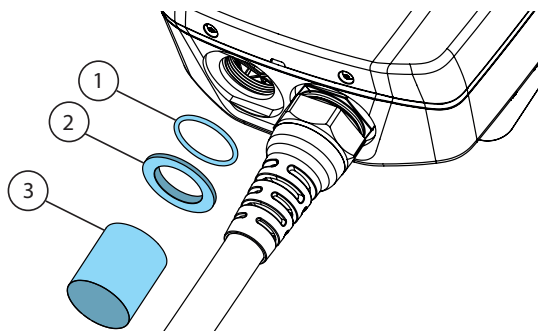
Title Ultium PowerUP+ Charge Station User Manual

PART No.

SHEET

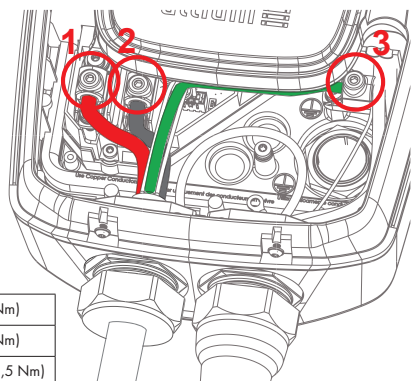
53

5. Coloque la junta tórica (1) y el adaptador de conducto (2) suministrados en el kit de herramientas. Asegúrese de utilizar un conducto hermético adecuado de 1" (3) que cumpla con el tipo 4X (no suministrado) → Pase el cable nuevo (redondo) a través del conducto.



NOTA: Solo con fines ilustrativos.

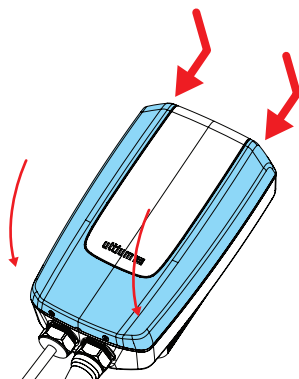
7. Instale los cables en los terminales y apriete los tornillos de los terminales como se indica a continuación.



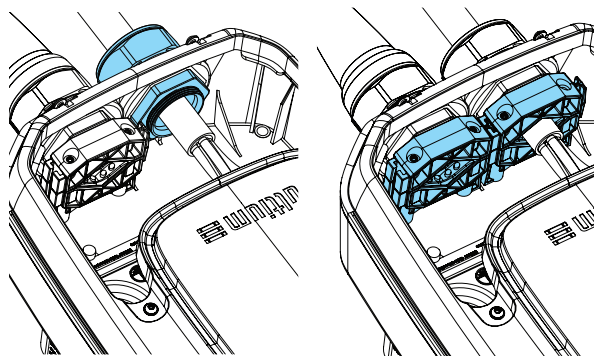
1	L1	5 pies/lb (7 Nm)
2	L2	5 pies/lb (7 Nm)
3	TIERRA	2,5 pies/lb (3,5 Nm)

NOTA: Es posible que se hayan quitado componentes para mayor claridad de la imagen.

9. Vuelva a colocar la tapa delantera con sus dos tornillos y apriételos a 1 Nm (0,7 ft/lb). La instalación de cableado ahora está terminada.

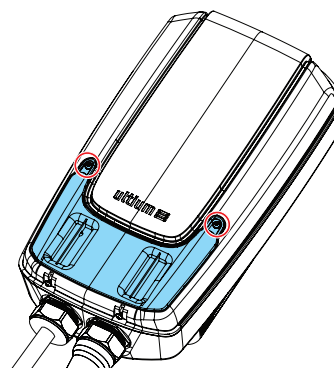


6. Asegure el prensaestopas y el conducto recién instalados → Vuelva a colocar el conjunto de la abrazadera del cable (del Paso 3).



NOTA: Es posible que se hayan quitado componentes para mayor claridad de la imagen.

8. Vuelva a colocar la tapa de servicio con sus dos tornillos y apriételos a 1 Nm (0,7 ft/lb).



10. Para continuar con la configuración de la estación de carga Ultium PowerUP, consulte '5. INSTRUCCIONES DE FUNCIONAMIENTO' para hacer lo siguiente:

- Encender/apagar el disyuntor de la estación de carga
- Emparejamiento con Bluetooth®
- Descargando la aplicación GM MyBrand / Ultium
- Configuración de una cuenta de usuario de GM
- Carga de un vehículo eléctrico

NOTA PARA EL ELECTRICISTA INSTALADOR:

Asegúrese de que se haya configurado el amperaje operativo correcto a través de la aplicación GM MyBrand / Ultium de los usuarios finales después de la configuración y el emparejamiento con la estación de carga Ultium PowerUP+ (amperaje operativo predeterminado de 6 amperios).

R 05APR23

PART No. 85642869

SHEET

ALL INFORMATION WITHIN ABOVE BORDER TO BE PRINTED EXACTLY AS SHOWN ON 8.5 x 11 WHITE 16

POUND NON-BOND RECYCLABLE PAPER. PRINT ON BOTH SIDES EXCLUDING TEMPLATES. TO BE

UNITED IN ACCORDANCE WITH GMCCA SPECIFICATIONS.

Date	Revision	Auth	DR
31MAR23	First Rel	SAR	MB
05APR23	Second Rel	SAR	MB

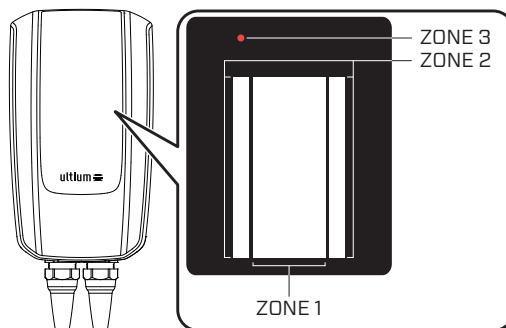
Title Ultium PowerUP+ Charge Station User Manual

PART No. SHEET 54

4. RESUMEN DE INDICADORES

La estación de carga Ultium PowerUP+ está equipada con un panel indicador ubicado en la parte frontal de la unidad.

El panel indicador muestra el estado de la carga y los errores.



FUNCIÓN	DESCRIPCIÓN	INDICACIÓN	ACCIÓN
ENCENDIDO	El dispositivo está encendido	ZONA 1: DESVANECIMIENTO ZONA 2: DESVANECIMIENTO	No se requiere ninguna acción, el dispositivo funciona
CARGANDO	Cable de carga correctamente conectado	ZONA 2: LUZ FIJA	No se requiere ninguna acción, el dispositivo funciona
	Carga en progreso	ZONA 1: PARPADEANTE ZONA 2: LUZ FIJA	No se requiere ninguna acción, el dispositivo funciona
	Carga completa	ZONA 1: LUZ FIJA ZONA 2: LUZ FIJA	Vehículo completamente cargado → el cable de carga se puede quitar y guardar Para obtener más información, consulte: INSTRUCCIONES DE FUNCIONAMIENTO → PASO 10
	Carga en pausa	ZONA 2: PARPADEANTE	Carga pausada manualmente a través de la aplicación del fabricante → Consulte la aplicación para obtener más información o para reanudar la carga
ACTUALIZAR	Actualización de software	TODAS LAS ZONAS: PARPADEANTE	Hay una actualización de software en curso. Para obtener más información, consulte: RESOLUCIÓN DE PROBLEMAS → SOFTWARE
ERRORES	Error peligroso	ZONA 3: LUZ FIJA	Para obtener más información, consulte: RESOLUCIÓN DE PROBLEMAS
	Error que puede restablecerse manualmente	ZONA 3: PARPADEANTE	Para obtener más información, consulte: RESOLUCIÓN DE PROBLEMAS

R 05APR23

PART No. 85642869

SHEET

ALL INFORMATION WITHIN ABOVE BORDER TO BE PRINTED EXACTLY AS SHOWN ON 8.5 x 11 WHITE 16
POUND NON-BOND RECYCLABLE PAPER. PRINT ON BOTH SIDES, EXCLUDING TEMPLATES. TO BE
UNITED IN ACCORDANCE WITH GMCCA SPECIFICATIONS.

Date

Revision

Auth

DR

Title

 Ultium PowerUP+ Charge Station
User Manual

31MAR23

First Rel

SAR

MB

05APR23

Second Rel

SAR

MB

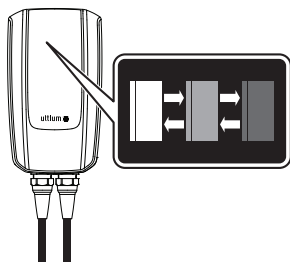
PART No.

SHEET

55

5. INSTRUCCIONES DE FUNCIONAMIENTO

1. **⚠PRECAUCIÓN:** Cuando la estación de carga Ultium PowerUP+ está conectada al tomacorriente y encendida, las ZONAS 1 y 2 aparecerán y se desvanecerán gradualmente.



2. Conexión Bluetooth®:
 - Android: deslice hacia abajo desde la parte superior de la pantalla → Presione "Bluetooth®" para activar
 - iOS - vaya a "Ajustes" → "Bluetooth®" → alternar para activar
 - Otros sistemas operativos: consulte el manual del dispositivo móvil inteligente para establecer correctamente la conexión Bluetooth®
3. Para propietarios de vehículos GM, instale la aplicación GM My Brand mediante los siguientes pasos:
 - Android: en el dispositivo móvil inteligente, vaya a "Play Store" → busque "MyBuick | MyCadillac | MyChevrolet | MyGMC" → "Instalar"
 - iOS: en el dispositivo móvil inteligente, vaya a "App Store" → busque "MyBuick | MyCadillac | MyChevrolet | MyGMC" → "Obtener" → "Instalar"
 - Otros sistemas operativos: consulte el manual del dispositivo móvil inteligente para seleccionar correctamente la tienda de aplicaciones e instalar la aplicación MyBuick | MyCadillac | MyChevrolet | MyGMC

Para registrar una cuenta My Brand y configurar la estación de carga Ultium PowerUP+, realice los siguientes pasos:

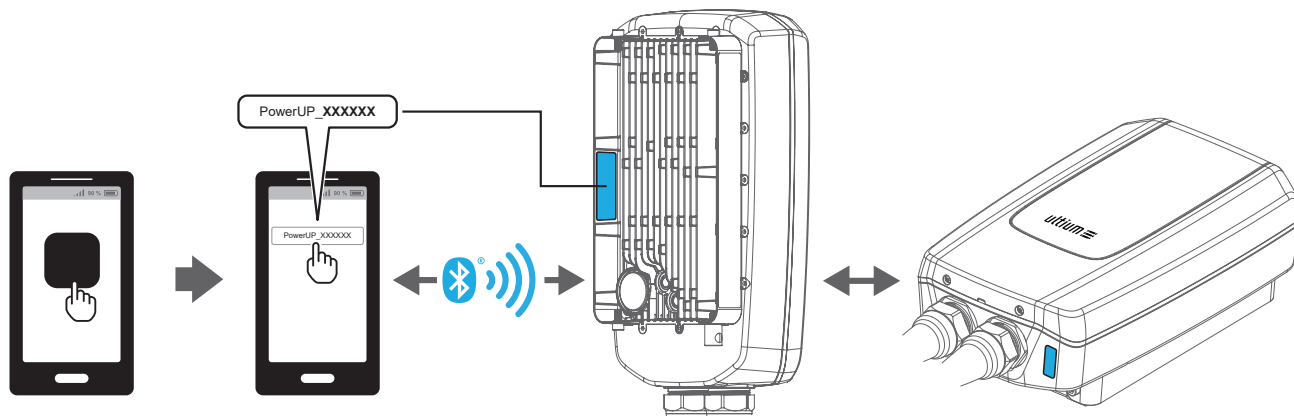
- Abra la aplicación MyBuick | MyCadillac | MyChevrolet | MyGMC → Cree una cuenta My Brand e inicie sesión → Registre el nuevo vehículo GM en la aplicación
- Vaya a "Página de inicio" → seleccione "Estado de carga" y configure el cargador. Alternativamente, vaya al menú "Más" y seleccione "Cargadores PowerUP" para configurar la estación de carga Ultium PowerUP+
- Para los propietarios de vehículos GM existentes, inicie sesión en su cuenta My Brand → Vaya a "Página de inicio" → seleccione "Estado de carga" y configure el cargador. Alternativamente, vaya al menú "Más" y seleccione "Cargadores PowerUP" para configurar la estación de carga Ultium PowerUP+

R 05APR23					PART No. 85642869	SHEET
ALL INFORMATION WITHIN ABOVE BORDER TO BE PRINTED EXACTLY AS SHOWN ON 8.5 x 11 WHITE 16 POUND NON-BOND RECYCLABLE PAPER. PRINT ON BOTH SIDES EXCLUDING TEMPLATES. TO BE UNITED IN ACCORDANCE WITH GMCCA SPECIFICATIONS.	Date	Revision	Auth	DR	Title Ultium PowerUP+ Charge Station User Manual	PART No. SHEET
	31MAR23	First Rel	SAR	MB		
	05APR23	Second Rel	SAR	MB		
					PART No.	SHEET 56

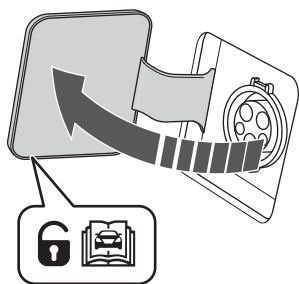
4. Para propietarios de vehículos que no sean GM, instale la aplicación Ultium PowerUP mediante los siguientes pasos:
 - Android: en el dispositivo móvil inteligente, vaya a "Play Store" → busque "Ultium PowerUP" → "Instalar"
 - iOS: en el dispositivo móvil inteligente, vaya a "App store" → busque "Ultium PowerUP" → "Obtener" → "Instalar"
 - Otros sistemas operativos: consulte el manual del dispositivo móvil inteligente para seleccionar correctamente la tienda de aplicaciones e instalar la aplicación Ultium PowerUP

Para registrar una cuenta y configurar la estación de carga Ultium PowerUP+, realice los siguientes pasos:

- Abra la aplicación Ultium PowerUP → Cree una cuenta e inicie sesión → Vaya a "Página de inicio" → seleccione "Agregar nuevo cargador" para configurar la estación de carga Ultium PowerUP+
5. Para emparejar el dispositivo móvil inteligente, la estación de carga Ultium PowerUP+ **no debe** estar conectada a un vehículo.
El modo de emparejamiento está siempre activo.
Cuando se empareja, el dispositivo móvil inteligente se puede conectar a la estación de carga Ultium PowerUP+ durante cualquier punto de uso.
 6. Al conectar un dispositivo móvil inteligente a la estación de carga Ultium PowerUP+, ingrese el código de emparejamiento de Bluetooth®.
Los últimos seis números del código de emparejamiento de Bluetooth® se encuentran en la parte posterior de la estación de carga Ultium PowerUP+.
Después del emparejamiento, se pueden usar todas las funciones de la aplicación GM My Brand.



7. Para cargar, consulte el manual del propietario del vehículo para encontrar la ubicación de la salida de carga y cómo conectar correctamente la estación de carga Ultium PowerUP+ al vehículo.
Antes de conectar la estación de carga Ultium PowerUP+ al vehículo, asegúrese de que la energía/voltaje eléctrico sea el adecuado, de acuerdo con el manual del propietario del vehículo.


R 05APR23

PART No. 85642869

SHEET

ALL INFORMATION WITHIN ABOVE BORDER TO BE PRINTED EXACTLY AS SHOWN ON 8.5 x 11 WHITE 16

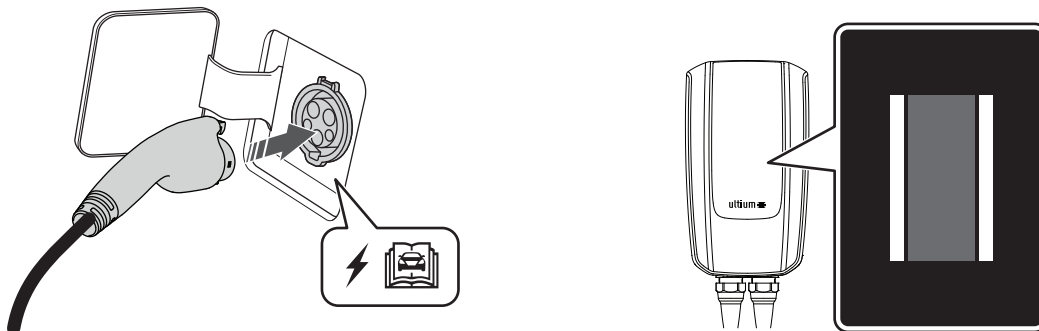
POUND NON-BOND RECYCLABLE PAPER. PRINT ON BOTH SIDES, EXCLUDING TEMPLATES. TO BE

UNITED IN ACCORDANCE WITH GMCCA SPECIFICATIONS.

Date	Revision	Auth	DR	Title	
31MAR23	First Rel	SAR	MB	Ultium PowerUP+ Charge Station User Manual	
05APR23	Second Rel	SAR	MB		
				PART No.	SHEET
					57

8. DESENNOLLE COMPLETAMENTE EL CABLE DE CARGA ANTES DE CONECTARLO.

Cuando el enchufe de carga está conectado correctamente a la toma de carga del vehículo, la ZONA 2 en el panel indicador mostrará una luz constante. La estación de carga Ultium PowerUP+ estará esperando que un dispositivo móvil inteligente autorice una sesión de carga o el programa de carga preprogramado para comenzar.

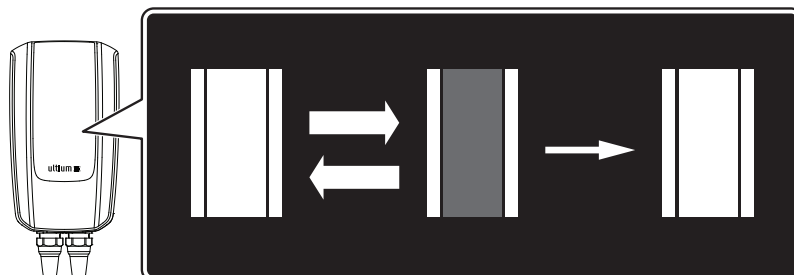


9. Durante la carga:

- ZONA 1 → Parpadeante
- ZONA 2 → Luz constante

Cuando la carga está completa

- ZONA 1 → Luz constante
- ZONA 2 → Luz constante



10. Cuando el vehículo está completamente cargado:

- Desbloquee el enchufe de carga del tomacorriente de carga del vehículo según el manual del propietario del vehículo
- Enrolle sin apretar el cable de carga en el soporte de pared para que el cable no entre en contacto con el suelo
- Vuelva a colocar el enchufe de carga en la funda



R 05APR23

PART No. 85642869

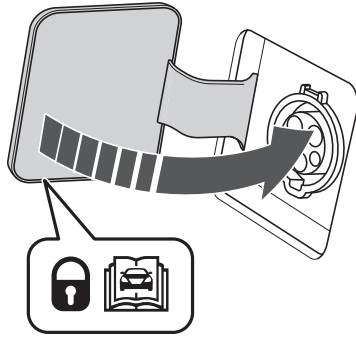
SHEET

ALL INFORMATION WITHIN ABOVE BORDER TO BE PRINTED EXACTLY AS SHOWN ON 8.5 x 11 WHITE 16 POUND NON-BOND RECYCLABLE PAPER. PRINT ON BOTH SIDES, EXCLUDING TEMPLATES. TO BE UNITED IN ACCORDANCE WITH GMCCA SPECIFICATIONS.

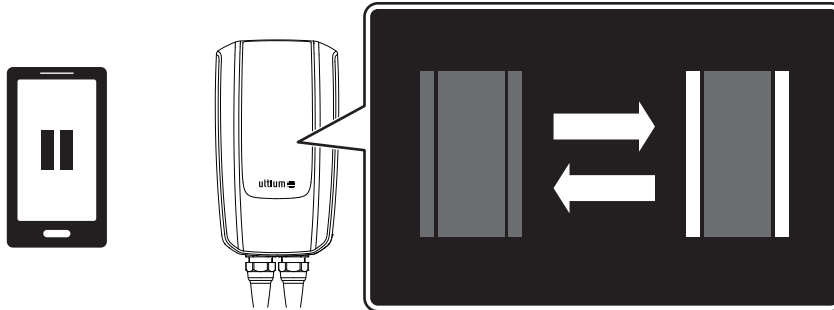
Date	Revision	Auth	DR
31MAR23	First Rel	SAR	MB
05APR23	Second Rel	SAR	MB

Title	PART No.	SHEET
Ultium PowerUP+ Charge Station User Manual		
		58

11. Después de desconectar la estación de carga Ultium PowerUP+, bloquee la salida de carga según el manual del propietario del vehículo.



- El parpadeo en ZONA 2 indica que la sesión de carga se pausó manualmente a través de la aplicación GM My Brand. Consulte la aplicación GM My Brand para obtener más información o para reanudar la carga.



R 05APR23

PART No. 85642869

SHEET

ALL INFORMATION WITHIN ABOVE BORDER TO BE PRINTED EXACTLY AS SHOWN ON 8.5 x 11 WHITE 16

POUND NON-BOND RECYCLABLE PAPER. PRINT ON BOTH SIDES EXCLUDING TEMPLATES. TO BE

UNITED IN ACCORDANCE WITH GMCCA SPECIFICATIONS.

Date	Revision	Auth	DR
31MAR23	First Rel	SAR	MB
05APR23	Second Rel	SAR	MB

Title Ultium PowerUP+ Charge Station User Manual

PART No.

SHEET

6. INSTRUCCIONES DE MANTENIMIENTO Y ALMACENAMIENTO

- **⚠️ ADVERTENCIA:** NO abra la estación de carga Ultium PowerUP+; póngase en contacto con un electricista certificado.
- **⚠️ ADVERTENCIA:** Para reducir el riesgo de DESCARGA ELÉCTRICA, desconecte el suministro de energía a la estación de carga Ultium PowerUP+ desde el disyuntor antes de intentar limpiarlo cuando sea posible.
- **⚠️ PRECAUCIÓN:** Para limpiar la estación de carga Ultium PowerUP+, utilice un paño seco siempre que sea posible.
- **⚠️ PRECAUCIÓN:** La estación de carga Ultium PowerUP+ no está diseñada para cablearse repetidamente y desinstalarse, ya que hacerlo puede dañar la unidad.
- **⚠️ PRECAUCIÓN:** La estación de carga Ultium PowerUP+ está diseñada para instalarse y permanecer cableada.
- **⚠️ PRECAUCIÓN:** Para almacenar o reubicar una estación de carga Ultium PowerUP+ cableada; comuníquese con el servicio al cliente del fabricante o con un electricista certificado.

6.1 DESECHO

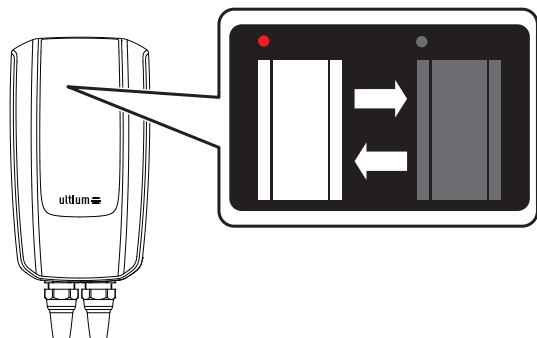
- **⚠️ PRECAUCIÓN:** NO coloque el producto en contenedores de basura normales. Siga estrictamente las normas locales relativas a la eliminación y el reciclaje del producto.

R 05APR23					PART No. 85642869		SHEET	
ALL INFORMATION WITHIN ABOVE BORDER TO BE PRINTED EXACTLY AS SHOWN ON 8.5 X 11 WHITE 16 POUND NON-BOND RECYCLABLE PAPER. PRINT ON BOTH SIDES EXCLUDING TEMPLATES. TO BE UNITED IN ACCORDANCE WITH GMCCA SPECIFICATIONS.	Date	Revision	Auth	DR	Title Ultium PowerUP+ Charge Station User Manual			
	31MAR23	First Rel	SAR	MB				
	05APR23	Second Rel	SAR	MB	PART No.		SHEET	
							60	

7. RESOLUCIÓN DE PROBLEMAS

7.1 SOFTWARE

- Antes de actualizar el software de la estación de carga Ultium PowerUP+, asegúrese de que haya una conexión a Internet estable a través de wifi
- **NOTA IMPORTANTE:** Si la conexión a Internet no es estable, el proceso de actualización del software puede demorar más de lo esperado
- El estado de actualización del software se puede ver en la aplicación y mediante los indicadores parpadeantes que se muestran a continuación



7.2 APLICACIÓN MÓVIL

- Si hay una interrupción de energía, la aplicación móvil mostrará que la estación de carga Ultium PowerUP+ ha detenido la sesión de carga debido a un error
- Si carga un VE con la estación de carga Ultium PowerUP+ y hay una falla de energía, la sesión de carga se detendrá
- Cuando se restablece la energía, la sesión de carga puede continuar
- Las fallas de energía no afectarán el programa de carga de la aplicación móvil
- La aplicación mostrará información relacionada con errores y acciones sugeridas.
- Cuando utilice la aplicación móvil, asegúrese de que Bluetooth® esté activado en el dispositivo móvil inteligente y que esté dentro del alcance de Bluetooth® de la unidad.

R 05APR23

PART No. 85642869

SHEET

ALL INFORMATION WITHIN ABOVE BORDER TO BE PRINTED EXACTLY AS SHOWN ON 8.5 X 11 WHITE 16

POUND NON-BOND RECYCLABLE PAPER. PRINT ON BOTH SIDES EXCLUDING TEMPLATES. TO BE

UNITED IN ACCORDANCE WITH GMCCA SPECIFICATIONS.

Date	Revision	Auth	DR
31MAR23	First Rel	SAR	MB
05APR23	Second Rel	SAR	MB

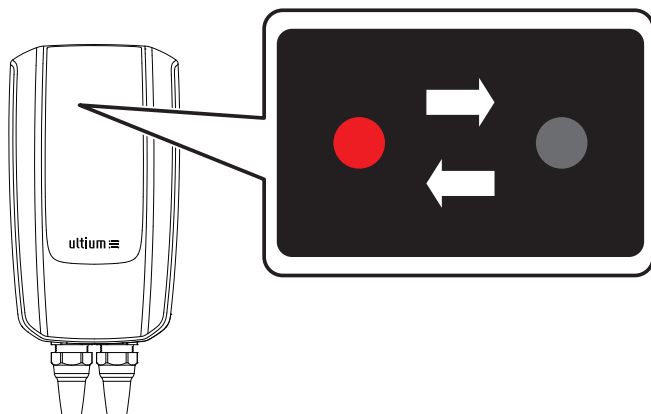
Title Ultium PowerUP+ Charge Station User Manual

PART No.

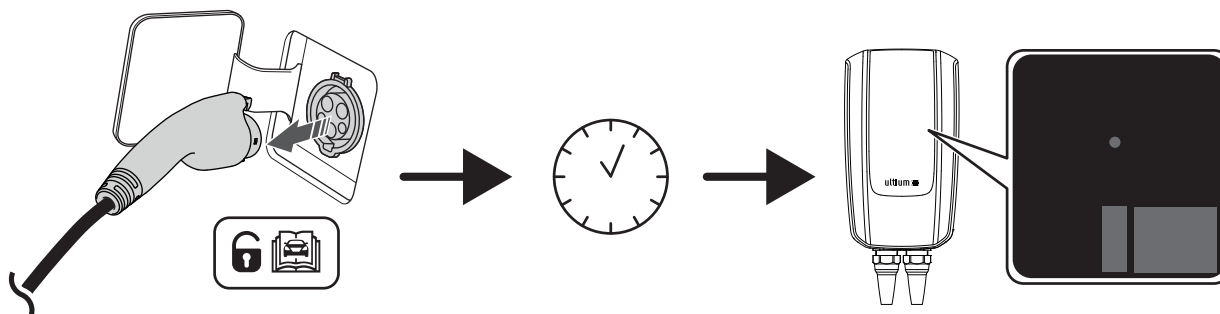
SHEET

7.3 ERROR QUE PUEDE RESTABLECERSE MANUALMENTE

1. Si la ZONA 3 indica una luz intermitente, como se muestra a continuación, significa que se ha producido un error reiniciable.



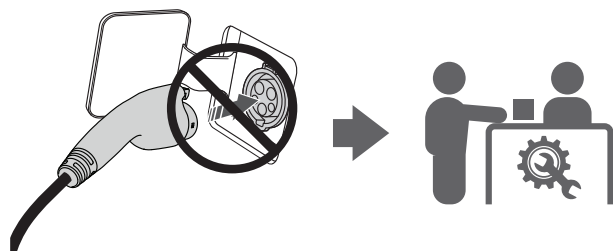
2.
 - Retire el enchufe de carga del tomacorriente del vehículo.
 - Espere a que la luz de la ZONA 3 deje de parpadear
 - Vuelva a conectar el enchufe de carga a la toma de corriente del vehículo



3. Si el error sigue apareciendo después de un máximo de 3 intentos → verifique la aplicación móvil para ver si hay errores de sobrecalentamiento → permita que la estación de carga Ultium PowerUP+ se enfríe.

Si el error persiste, póngase en contacto con el concesionario o punto de venta del fabricante. (consulte la sección SOPORTE para obtener más información).

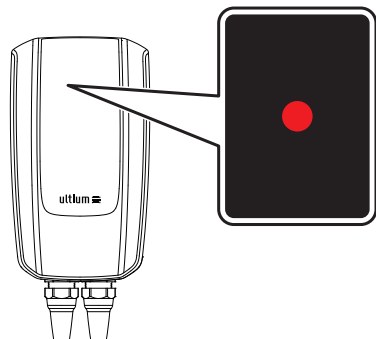
⚠PRECAUCIÓN: NO intente conectar la estación de carga Ultium PowerUP+ al vehículo.



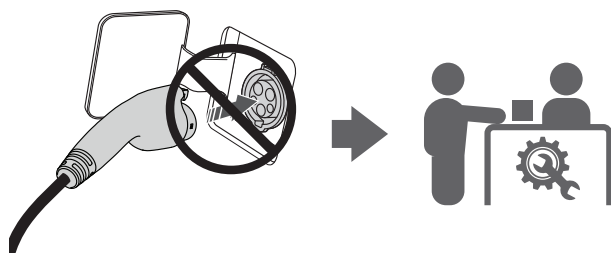
R 05APR23					PART No. 85642869	SHEET
ALL INFORMATION WITHIN ABOVE BORDER TO BE PRINTED EXACTLY AS SHOWN ON 8.5 x 11 WHITE 16 POUND NON-BOND RECYCLABLE PAPER. PRINT ON BOTH SIDES EXCLUDING TEMPLATES. TO BE UNITED IN ACCORDANCE WITH GMCCA SPECIFICATIONS.	Date	Revision	Auth	DR	Title Ultium PowerUP+ Charge Station User Manual	PART No. SHEET
	31MAR23	First Rel	SAR	MB		
	05APR23	Second Rel	SAR	MB		
					62	

7.4 ERROR PELIGROSO

1. Si la ZONA 3 indica lo que se muestra a continuación, significa que la unidad necesita servicio o reemplazo.



2.
 - **⚠ADVERTENCIA:** ASEGÚRESE de que la estación de carga Ultium PowerUP esté dentro de los límites de temperatura de funcionamiento de la siguiente manera: -22 °F a +122 °F (-30 °C a +50 °C)
 - **⚠ADVERTENCIA:** Donde sea seguro y práctico hacerlo; cambie con cuidado el disyuntor de la estación de carga Ultium PowerUP+ en el suministro de red a la posición "Off"
 - **⚠ADVERTENCIA:** NO intente conectar la estación de carga Ultium PowerUP+ al vehículo
 - **⚠ADVERTENCIA:** Si la estación de carga Ultium PowerUP+ está conectada a un vehículo, NO intente desconectarla del vehículo ni tocar ningún equipo o vehículo.
 - **⚠ADVERTENCIA:** Póngase en contacto con el concesionario o punto de venta de GM (consulte la sección SOPORTE o más información).
 - **⚠ADVERTENCIA:** Notifique al propietario y/o a los operadores de la estación de carga Ultium PowerUP+.



R 05APR23					PART No. 85642869		SHEET	
ALL INFORMATION WITHIN ABOVE BORDER TO BE PRINTED EXACTLY AS SHOWN ON 8.5 x 11 WHITE 16 POUND NON-BOND RECYCLABLE PAPER. PRINT ON BOTH SIDES EXCLUDING TEMPLATES. TO BE UNITED IN ACCORDANCE WITH GMCCA SPECIFICATIONS.	Date	Revision	Auth	DR	Title Ultium PowerUP+ Charge Station User Manual			
	31MAR23	First Rel	SAR	MB				
	05APR23	Second Rel	SAR	MB	PART No.		SHEET	
							63	

8. DATOS TÉCNICOS

Número de modelo	3005
Método de carga	CA nivel 2
Conector de vehículo	Tipo 1
Instalación	Circuito dedicado cableado de 208/240 VCA, 100 A
Número de fases	Split monofásico
Voltaje de carga	208 / 240 VCA
Corriente de carga	80 A
Frecuencia nominal, fn	50-60 Hz
Potencia de carga	19,2 kW
Humedad	0 a 95 %
Altitud máx.	11 483 pies (3500 m)
Enfriamiento	Disipador de calor, convección natural
Medidor de energía	Si, interno
Posicionamiento	Placa de fijación, montaje en pared
Dimensiones de caja	6 x 9,8 x 17,2 pulgadas (152,4 x 249 x 436,9 mm)
Material de la carcasa	Plástico, metal
Color de caja	Blanco/negro
Grado de protección	Hermético, Tipo 4X
Longitud del cable de carga	25 pies (7,5 m)
Peso neto (unidad con cables)	Aproximadamente 33 lb (14,9 kg)
Peso neto (funda)	Aproximadamente 1,7 lb (0,8 kg)
Peso del empaque	Aproximadamente 40 lb (18,1 kg)
Tamaño del empaque (largo x ancho x alto)	30,7 x 13,8 x 7,3 pulgadas (780 x 350,5 x 185,4 mm)
Interfaz de usuario	Interfaz LED
Conectividad	Tecnología inalámbrica Bluetooth®, wifi
Protocolo de comunicación	OCPP 1.6
SopORTE de aplicación	Pantalla de dispositivo inteligente, aplicación de fabricante para Android e iOS
Temperatura ambiente de funcionamiento y temperatura de almacenamiento	-22 °F a +122 °F (-30 °C a +50 °C)

9. PROTECCIÓN CONTRA SOBRECORRIENTE Y CORTOCIRCUITO

Corriente nominal, en	80 A
Detección de falla de conexión a tierra	Integrado, no requiere adicional (CCID20)
RCD	Restablecimiento manual

R 05APR23

PART No. 85642869

SHEET

ALL INFORMATION WITHIN ABOVE BORDER TO BE PRINTED EXACTLY AS SHOWN ON 8.5 x 11 WHITE 16

POUND NON-BOND RECYCLABLE PAPER. PRINT ON BOTH SIDES EXCLUDING TEMPLATES. TO BE

UNITED IN ACCORDANCE WITH GMCCA SPECIFICATIONS.

Date	Revision	Auth	DR	Title	PART No.	SHEET
31MAR23	First Rel	SAR	MB	Ultium PowerUP+ Charge Station User Manual		
05APR23	Second Rel	SAR	MB			
						64

10. BLUETOOTH®

La marca denominativa y los logotipos de Bluetooth® son marcas comerciales registradas propiedad de Bluetooth SIG, Inc. y cualquier uso de dichas marcas por parte de GM se realiza bajo licencia. Las demás marcas y nombres comerciales pertenecen a sus respectivos propietarios.

11. SOPORTE

Para obtener asistencia, información de preguntas frecuentes, el último manual revisado y más información sobre productos GM, visite el sitio web de GM o comuníquese con GM.

	Servicio de asistencia de vehículos eléctricos Chevrolet/Buick/GMC	Servicio de asistencia de vehículos eléctricos Cadillac	Servicio de asistencia de vehículos eléctricos Hummer
EE. UU.*	1-833-382-4389	1-844-382-2345	1-833-486-6373
CANADÁ**	1-833-382-4389	1-844-382-2345	1-833-486-6373

* Horario de atención: Lunes a viernes de 8 a.m. a 12 a.m. EST; sábado a domingo de 12 p.m. a 9 p.m. EST

** Horario de atención: Lunes a viernes de 8 a.m. a 12 a.m. EST; sábado de 8 a.m. a 5 p.m. EST, domingo cerrado

12. CUMPLIMIENTO

- Aprobado por ENERGY STAR®, obtenga más información en energystar.gov
- UL 2594
- UL 2231-1
- UL 2231-2
- CSA C22.2 No.280-16
- CSA C22.2 No.281-1
- CSA C22.2 No.281-2

13. DECLARACIÓN DE LA FCC

Declaración de exposición a la radiación de la FCC: Este equipo cumple con los límites de exposición a la radiación de la FCC establecidos para un entorno no controlado. Este equipo debe instalarse y operarse con una distancia mínima de 20 cm entre el radiador y su cuerpo.

Este dispositivo cumple con la parte 15 de las normas de la FCC. Su funcionamiento está sujeto a las dos condiciones siguientes:

(1) Este dispositivo no puede causar interferencias perjudiciales, y (2) este dispositivo debe aceptar cualquier interferencia recibida, incluidas las que puedan causar un funcionamiento no deseado.

NOTA: Este equipo ha sido probado y se ha comprobado que cumple con los límites de un dispositivo digital de clase B, de acuerdo con la parte 15 de las normas de la FCC. Estos límites están diseñados para brindar una protección razonable contra interferencias dañinas en una instalación residencial. Este equipo genera, utiliza y puede irradiar energía de radiofrecuencia y, si no se instala y utiliza de acuerdo con las instrucciones, puede causar interferencias perjudiciales en las comunicaciones de radio. Sin embargo, no hay garantía de que no se produzcan interferencias en una instalación en particular. Si este equipo causa interferencias perjudiciales en la recepción de radio o televisión, lo cual puede determinarse apagando y encendiendo el equipo, se recomienda al usuario que intente corregir las interferencias mediante una o varias de las siguientes medidas:

- Reorientar o reubicar la antena receptora.
- Aumentar la separación entre el equipo y el receptor.
- Conectar el equipo a una toma de corriente en un circuito diferente al que está conectado el receptor.
- Consultar al distribuidor o a un técnico de radio/TV con experiencia para obtener ayuda.

R 05APR23					PART No. 85642869		SHEET	
ALL INFORMATION WITHIN ABOVE BORDER TO BE PRINTED EXACTLY AS SHOWN ON 8.5 x 11 WHITE 16 POUND NON-BOND RECYCLABLE PAPER. PRINT ON BOTH SIDES EXCLUDING TEMPLATES. TO BE UNITED IN ACCORDANCE WITH GMCCA SPECIFICATIONS.	Date	Revision	Auth	DR	Title Ultium PowerUP+ Charge Station User Manual			
	31MAR23	First Rel	SAR	MB				
	05APR23	Second Rel	SAR	MB	PART No.	SHEET 65		

14. RESPONSABLE DE FCC

Esto cumple con la regla FCC parte 2.1077(a)(3)

NOMBRE	Bobbie DuMelle
POSICIÓN	Vicepresidente ejecutivo de posventa
DIRECCIÓN	CTEK INC. 5521 N. CUMBERLAND AVE SUITE 1104 CHICAGO IL 60656 EE. UU.
CONTÁCTENOS	TEL: +1 (312) 967 1430 CORREO ELECTRÓNICO: bobbie.dumelle@ctek.com

15. DECLARACIÓN DE CUMPLIMIENTO DE ISED

Este equipo cumple con los límites de exposición a la radiación de la ISED establecidos para un entorno no controlado. Este equipo debe instalarse y operarse con una distancia mayor de 20 cm entre el radiador y su cuerpo.

Este dispositivo cumple con los RSS exentos de licencia de Industry Canada. Su funcionamiento está sujeto a las dos condiciones siguientes: (1) Este dispositivo no puede causar interferencias; y (2) Este dispositivo debe aceptar cualquier interferencia recibida, incluida la interferencia que pueda causar un funcionamiento no deseado del dispositivo.

Este dispositivo cumple con: CAN ICES-003 (B)/NMB-003 (B).

16. RESTRICCIONES DE USO NACIONALES

Algunos países, estados o provincias tienen códigos y estándares eléctricos diferentes a los establecidos en este manual. La instalación y el uso del producto deben seguir las normas locales. El producto está destinado a ser utilizado por el público en general. El producto está diseñado para ubicaciones con acceso restringido y acceso no restringido.

R 05APR23					PART No. 85642869		SHEET	
ALL INFORMATION WITHIN ABOVE BORDER TO BE PRINTED EXACTLY AS SHOWN ON 8.5 x 11 WHITE 16 POUND NON-BOND RECYCLABLE PAPER. PRINT ON BOTH SIDES EXCLUDING TEMPLATES. TO BE UNITED IN ACCORDANCE WITH GMCCA SPECIFICATIONS.	Date	Revision	Auth	DR	Title Ultium PowerUP+ Charge Station User Manual			
	31MAR23	First Rel	SAR	MB				
	05APR23	Second Rel	SAR	MB	PART No.		SHEET	
							66	

17. GARANTÍA LIMITADA

General Motors emite una garantía limitada al comprador original del producto. Esta garantía limitada no es transferible. La garantía se aplica a fallas de fabricación y defectos de material. El cliente debe devolver el producto para su inspección junto con el recibo de compra al concesionario de GM. GM reparará o reemplazará la pieza, a su exclusivo criterio y sin cargo, si la pieza falla debido a un defecto en el material o en la mano de obra durante el período de cobertura de la garantía.

PRODUCTO	PERÍODO DE GARANTÍA
Estación de carga Ultium PowerUP+	3 años ¹

Esta garantía no cubre:

- Daño o falla debido a negligencia, alteración, accidente, abuso, instalación incorrecta o uso para un propósito para el cual el producto no está diseñado o aprobado por GM
- Pérdida de tiempo, inconvenientes, pérdida de uso del vehículo u otros daños consecuentes
- Costo de mano de obra para diagnóstico eléctrico, remoción o instalación
- Productos utilizados para vehículos registrados y normalmente operados fuera de los Estados Unidos o Canadá

Otros términos:

Cualquier garantía implícita de comerciabilidad o idoneidad para un propósito particular aplicable a estas piezas tiene una duración limitada a la de esta garantía escrita. El recurso proporcionado anteriormente es el recurso exclusivo bajo esta garantía escrita o cualquier garantía implícita. Algunos estados no permiten ninguna limitación en la duración de una garantía implícita o la exclusión o limitación de daños incidentales o consecuentes; por lo tanto, es posible que las limitaciones o exclusiones anteriores no se apliquen a su caso. Esta garantía proporciona derechos legales específicos; también puede tener otros derechos, según el estado o la provincia en el que resida.

¹ Los reemplazos subsiguientes bajo la garantía recibirán el saldo del período de garantía original.

R 05APR23					PART No. 85642869	SHEET
ALL INFORMATION WITHIN ABOVE BORDER TO BE PRINTED EXACTLY AS SHOWN ON 8.5 x 11 WHITE 16 POUND NON-BOND RECYCLABLE PAPER. PRINT ON BOTH SIDES EXCLUDING TEMPLATES. TO BE UNITED IN ACCORDANCE WITH GMCCA SPECIFICATIONS.	Date	Revision	Auth	DR	Title Ultium PowerUP+ Charge Station User Manual	PART No. SHEET
	31MAR23	First Rel	SAR	MB		
	05APR23	Second Rel	SAR	MB		
					67	



www.gm.com

